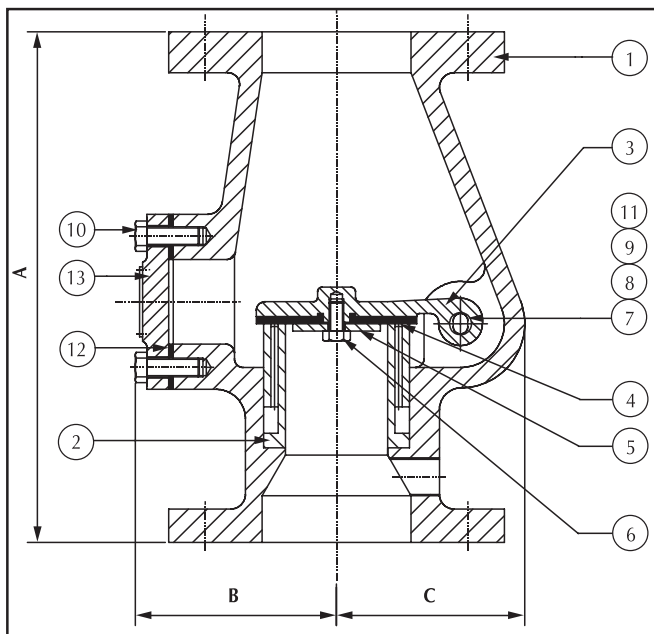


Shield - Alarm Valve Parts



DIMENSION in millimeter (Approximate)

VALVE NOMINAL SIZE	A	B	C
200 NB	423	180	171
150 NB	382	170	154
100 NB	350	140	129
80 NB	325	114	115

PART LIST

ITEM	PART NO.				DESCRIPTION	QTY	MATERIAL SPECIFICATION
	200 NB	150 NB	100 NB	80 NB			
1	2261	2201	2221	2241	Housing	1	C.I., IS : 210 G .260 r
2	2264	2204	2224	2244	Seat	1	Bronze, IS : 318 LTB-II
3	2265	2205	2225	2245	Clapper	1	Bronze, IS : 318 LTB-II
4	2266	2206	2226	2246	Seat Rubber	1	Neoprene
5	2267	2208	2227	2247	Rubber Clamp	1	SS 304
6	9101	9101	9101	9101	Bolt	1(4*)	SS 304
7	2209	2209	2209	2209	Clapper Bush	2	Bronze, IS : 318 LTB-II
8	2210	2210	2210	2210	Body Bush	2	Bronze, IS : 318 LTB-II
9	2268	2207	2228	2248	Hinge Pin	1	SS 304
10	9004	9004	9004	9012	Bolt	6	IS 1363
11	2220	2220	2220	2220	Plug	2	Brass
12	2269	2211	2229	2249	Cover Gasket	1	Neoprene
13	2270	2212	2230	2250	Hand Hole Cover	1	C.I., IS : 210 FG 260

*4 nos for 200NB Alarm Valve.

