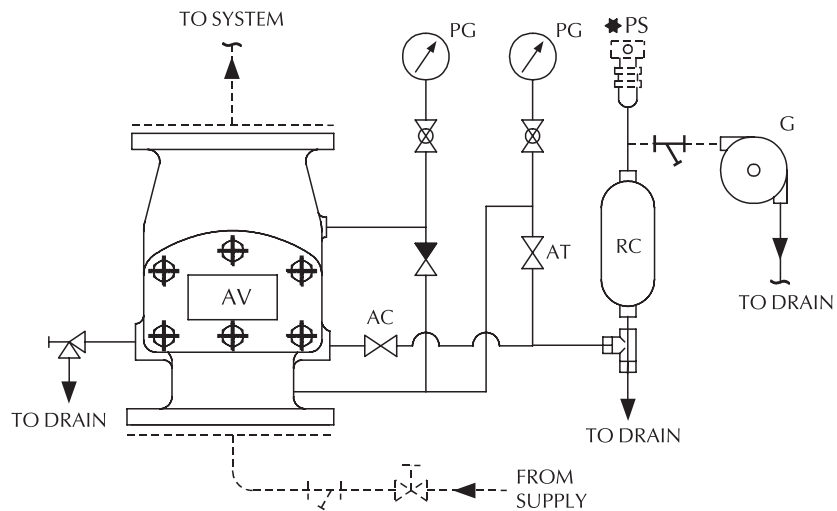


VARIABLE PRESSURE TRIM - SCHEMATIC ALARM VALVE 200 / 150 / 100 / 80 NB



- ▶ NON RETURN VALVE
- GAUGE VALVE
- ▲ ANGLE
- ┌ STRAINER
- RESTRICTION NOZZLE ASSEMBLY
- ┌ STOP VALVE
- ★ OPTIONAL

- AV - ALARM VALVE
- G - SPRINKLER ALARM
- PG - PRESSURE GAUGE
- PS - PRESSURE SWITCH
- RC - RETARD CHAMBER
- AC - SPRINKLER ALARM CONTROL VALVE
- AT - SPRINKLER ALARM TEST VALVE
- BY USER (NOT IN 'SHIELD' SUPPLY)

NOTE :

- 1) Sprinkler Alarm Control Valve must be kept normally open, if this valve is kept closed, then sprinkler alarm bell / electric alarm will not operate.
- 2) Sprinkler Alarm Test Valve must be kept in normally closed condition. Valve is opened to test the sprinkler alarm bell / electric alarm.

