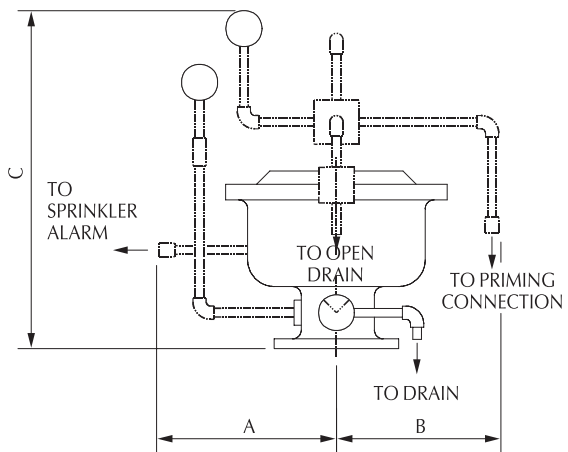
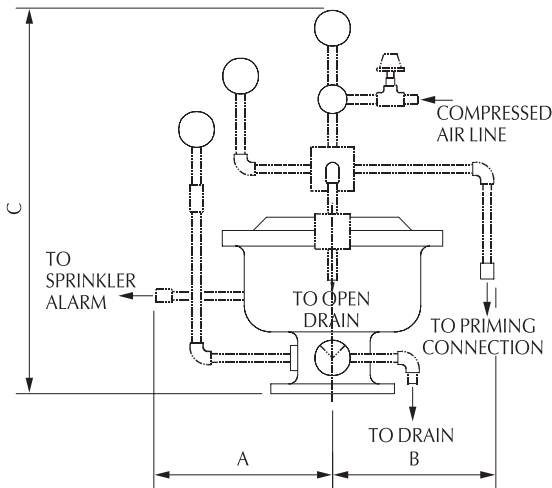
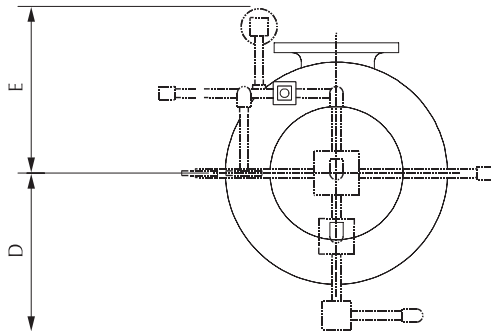
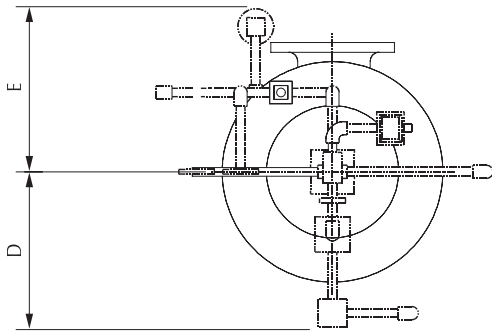


# Shield - Deluge Valve Release Trim

## PNEUMATIC AND ELECTRIC

## HYDRAULIC AND ELECTRIC



INSTALLATION MEASUREMENT IN MM. (Approximate)

SIZE	200NB	150NB	100NB	80NB	50NB
A	390	370	370	350	350
B	525	500	450	450	450
C	1050	1025	950	930	930
D	510	500	450	450	450
E	500	480	420	410	410

INSTALLATION MEASUREMENT IN MM. (Approximate)

SIZE	200NB	150NB	100NB	80NB	50NB
A	390	370	370	350	350
B	525	500	450	450	450
C	875	800	750	700	700
D	510	500	450	450	450
E	500	480	420	410	410



Shield/2005 - Shield reserves the right to change the contents without notice.