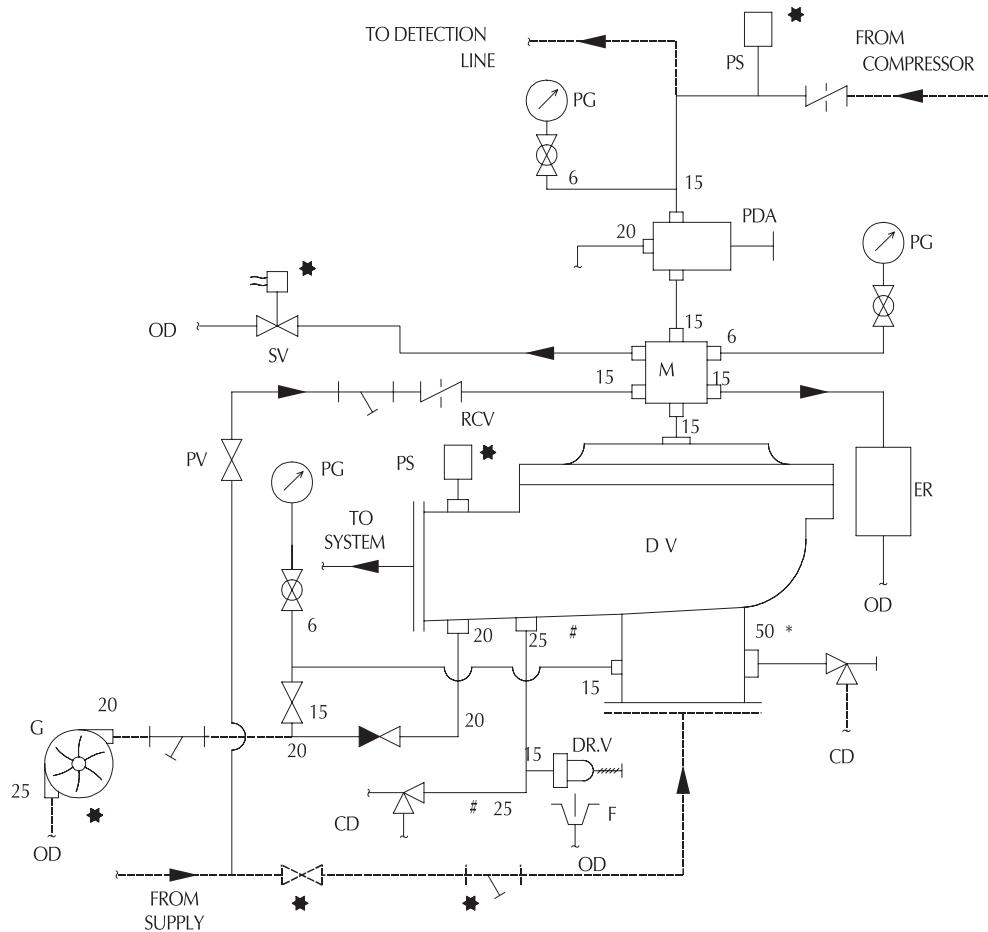


# Shield - Electric & Pneumatic Release Trim - Schematic Deluge Valve 200 / 150 / 100 / 80 / 50 NB



- |      |                   |     |                           |
|------|-------------------|-----|---------------------------|
| ⊗    | VALVE             | *   | 32 NB FOR DV 80 & 50 NB   |
| ⊗    | GAUGE VALVE       | #   | 20 NB FOR DV 80 & 50 NB   |
| ▶    | NON RETURN VALVE  | OD  | - OPEN DRAIN              |
| ⊥    | STRAINER          | CD  | - COMMON DRAIN            |
| ⊥    | ANGLE VALVE       | DV  | - DELUGE VALVE            |
| ⊥    | STOP VALVE        | ER  | - EMERGENCY RELEASE BOX   |
| ★    | OPTIONAL          | M   | - SIX WAY MANIFOLD        |
| ---- | BY USER           | RCV | - RESTRICTION CHECK VALVE |
| DR.V | - DRIP VALVE      | PDA | - POSITIVE DRAIN ACTUATOR |
| F    | - FUNNEL          | PG  | - PRESSURE GAUGE          |
| PS   | - PRESSURE SWITCH | SV  | - SOLENOID VALVE          |
|      |                   | PV  | - PRIMING VALVE           |

NOTE: PRIMING VALVE MUST BE KEPT IN 'OPEN' POSITION, WHILE THE SYSTEM IS IN SERVICE

Shield/2005 - Shield reserves the right to change the contents without notice.

