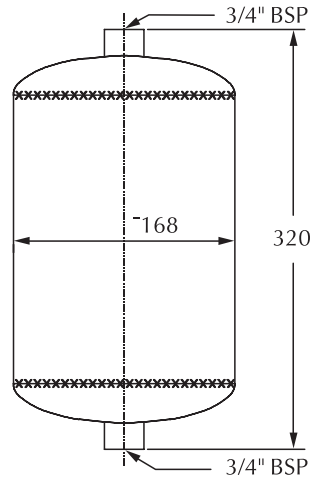
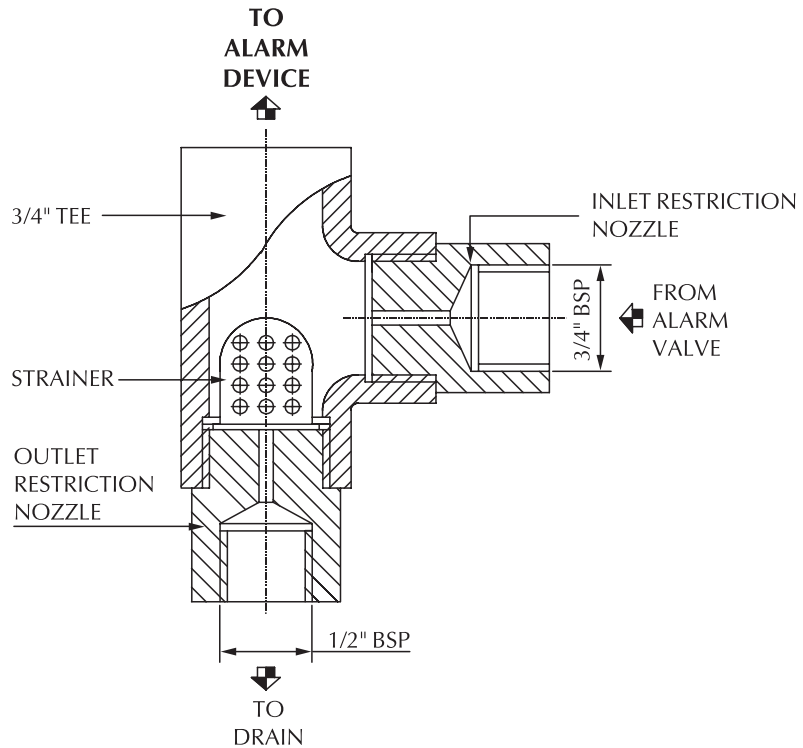


Shield - Retard Chamber

RETARD CHAMBER Model: SD-RA



RESTRICTION NOZZLE ASSEMBLY



Shield/2005 - Shield reserves the right to change the contents without notice.