



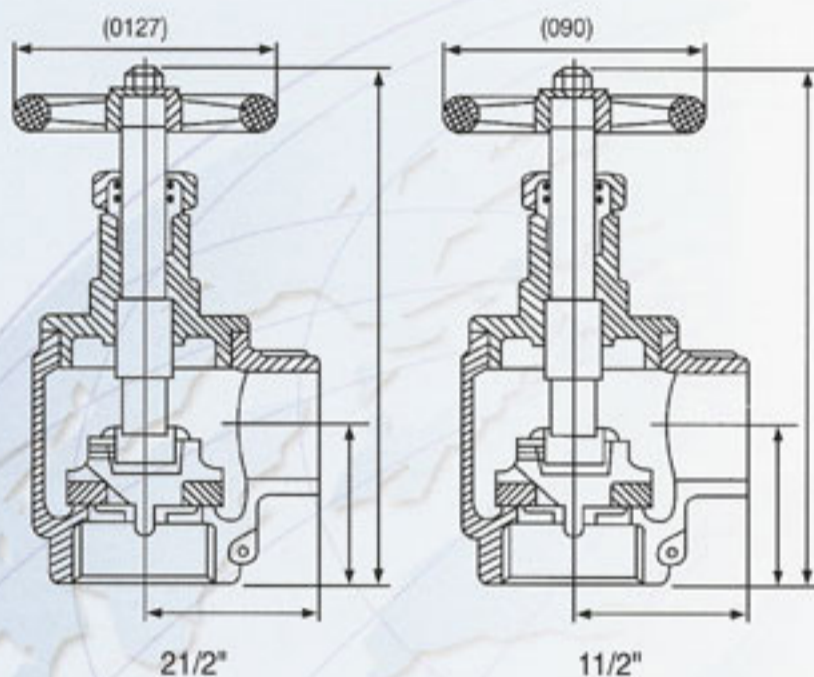
Shield - Angle Hose Valves

UL Listed.

▲ **Model: SD-AV40**

▲ **Model: SD-AV65**

The Angle hose valve is manufactured in accordance with the UL668 Hose valve fire protection service and is used as a fire dept. outlet or with a hose rack assembly.



Product Description

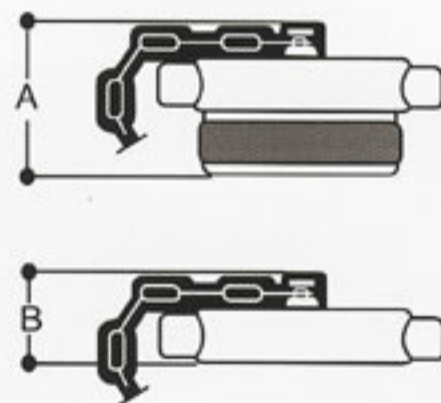
- Size : 1 1/2 " & 2 1/2 "
- Working Press. : 300 psi
- Max. Test Press. : 600 psi
- Standard : Female NPT x Female
Female NPT x Male
- Body : Cast Brass with Red Hand wheel

Optional Finishes

- Polished Brass
- Royal Chrome Plated
- Polished Chrome Plated

Cap & Chain (optional)

To cover and protect male/female outlet threads on valves and hydrants. Prevents entry of foreign matter. Available upon request.



	1-1/2"	2-1/2"
A	1-1/2"	1-1/2"
B	1-1/2"	1-1/2"