



Shield - Bronze Butterfly Valves, Grooved

UL Listed.

Model: SDBB-G

Specifications

Size : 2" Through 2 - 1/2"
 Working Press. : 175 psi
 Max. Test Press. : 350 psi
 Working Temp. : 250° F (120° C)
 Factory Installed UL Approved Tamper Switch for indoor use only.

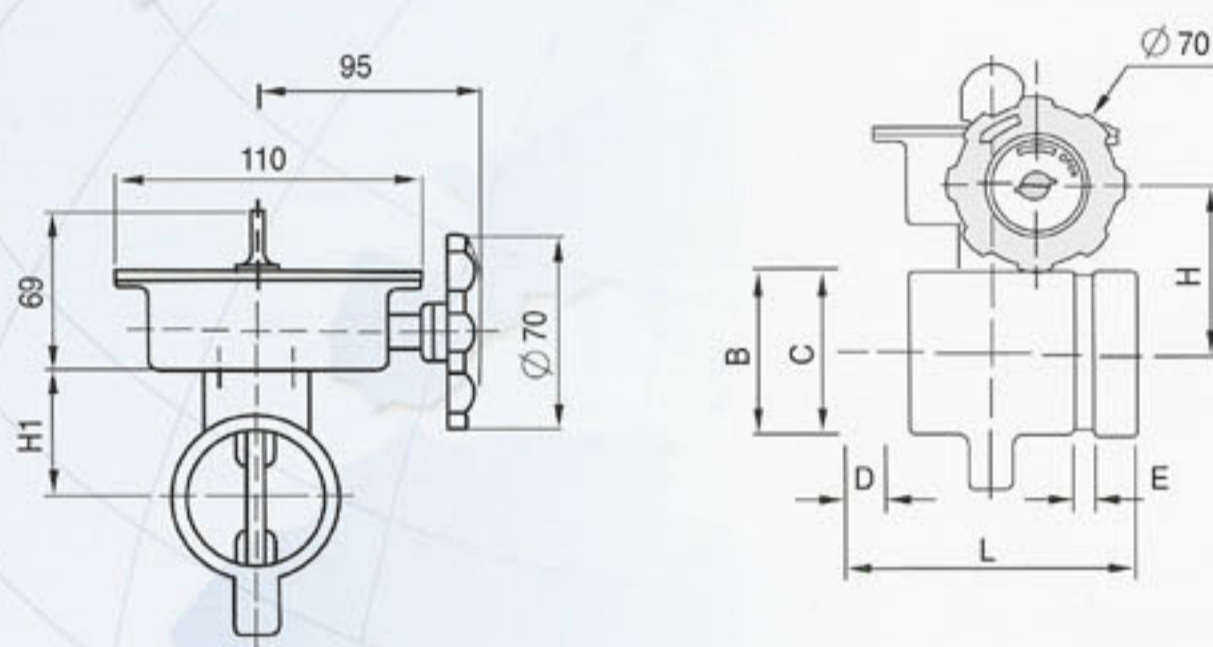
Material

Body : Brass, Bronze
 Disc : Brass, Ductile Iron, EPDM Encapsulated
 Stem : Stainless Steel



Technical Data

Dimension (SCH 40, C=120)



Dimensions - Weights

Unit : mm(inch)

Size	L	H	H1	A	B	C	D	E	Weight kg(lbs)
2"	114(4.49)	65 (2.56)	50(1.97)	-	60.3 (2.37)	57.1 (2.25)	15.8 (0.62)	7.9 (0.31)	2.2 (4.84)
2-1/2"	114 (4.49)	65 (2.56)	50 (1.97)	-	73.0 (2.87)	69 (2.72)	15.8 (0.62)	7.9 (0.31)	2.4 (5.28)

Shield - Bronze Butterfly Valves, Threaded

UL Listed.

Model: SDBB-T



Specifications

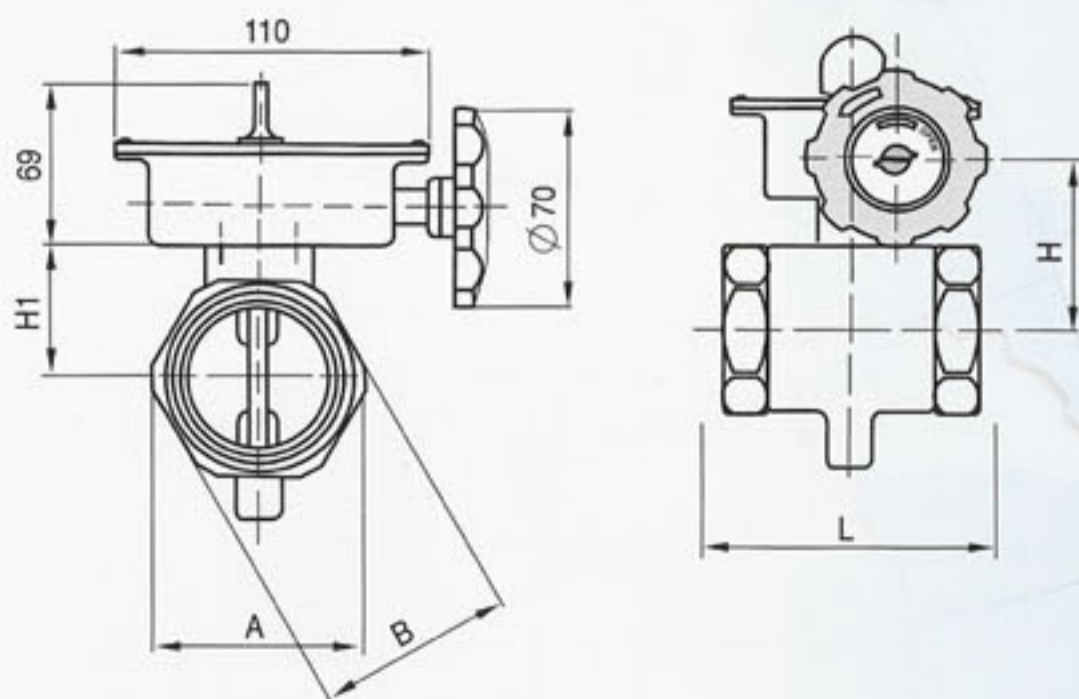
Size : 1" Through 2 - 1/2"
 Working Press. : 175 psi
 Max. Test Press. : 350 psi
 Working Temp. : 250° F (120° C)
 Factory Installed UL Approved Tamper Switch for indoor use only.

Material

Body : Brass, Bronze
 Disc : Brass, Ductile Iron, EPDM Encapsulated
 Stem : Stainless Steel

Technical Data

Dimension (SCH 40, C=120)



Dimensions - Weights

Unit : mm(inch)

Size	L	H	H1	A	B	C	D	E	Weight kg(lbs)
1"	54 (2.13)	52 (2.05)	37 (1.46)	43.7 (1.72)	39.7 (1.56)	54 (2.13)	-	-	1.5 (3.30)
1-1/4"	67 (2.64)	56 (2.20)	41 (1.61)	53.2 (2.09)	49 (1.93)	67 (2.64)	-	-	1.7 (3.74)
1-1/2"	73 (2.87)	59 (2.32)	44 (1.73)	58.5 (2.30)	56 (2.20)	73 (2.87)	-	-	1.8 (3.96)
2"	82.4 (3.24)	64 (2.52)	49 (1.93)	76 (2.99)	70 (2.76)	82.4 (3.24)	-	-	2.4 (5.28)
2-1/2"	104(4.09)	65 (2.56)	50 (1.97)	89 (3.50)	84 (3.31)	104 (4.09)	-	-	3.1 (6.82)

