

# Shield - Bronze Globe Valve, Threaded



**UL Listed.**

**Model: SD-GV**



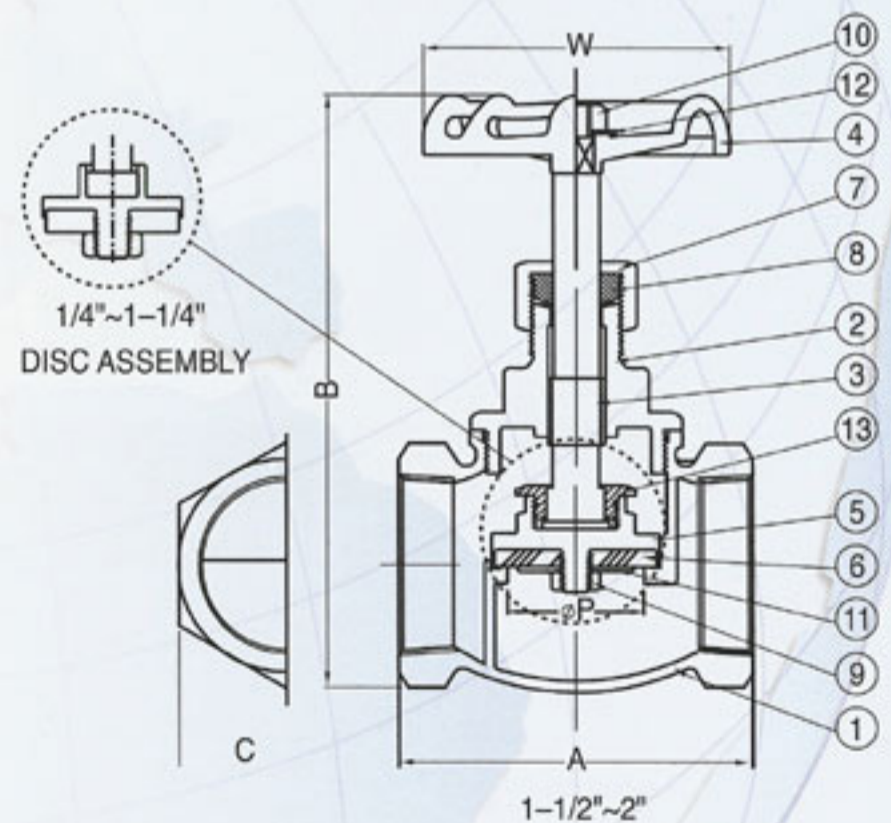
These UL Listed valves are manufactured in accordance with the Standard UL 258 Valves, Trim and Drain components. The globe valves are intended to be installed in accordance with the National Fire Protection Association Standards, NFPA 13, 14 and 15. The valve utilizes ASTM B584 C84400 cast bronze for body, ASTM B124 C37700 forged brass for bonnet, disc holder and packing nut, ASTM B271 C86700 brass alloy for the stem, the handwheel is made of ASTM A126 Gr. B cast iron. The valve is intended for use in the water piping of fire protection service in accordance with the Standard for the installation of Sprinkler System, NFPA 13, 14, 15.

Rated pressure 175 psi, the leakage test pressure at both seat and body are 350 psi twice the rated pressure, hydrostatic test pressure 875 psi 5 times the rated pressure.

\* Wall Thickness Comply to ANSI B16-15, Threads to ANSI B1.20-1.

## Materials List

No.	Part Name	Material
1	Body	Bronze C84400
2	Bonnet	Brass B 16 (1/4"-3/4") Bronze C8400 (1"- 2")
3	Stem	Brass
4	Handwheel	Cast Iron A126 Gr.B
5	Disc	Forged Brass B124
6	Seat	Buna-N
7	Packing Nut	Brass
8	Gland Packing	Teflon
9	Lock Nut	Brass
10	Wheel Nut	Steel
11	Washer	Brass
12	Name Plate	Aluminium
13	Disc Nut (1-1/2" - 2")	Brass



## Dimensions & Weights

Unit : mm(inch)

Size	A	B	C	W	A1	∅ P	Size	A	B	C	W	A1	∅ P		
1/4"	43	81	86.8	23	53.4	65	8	1"	76	122.4	130	48	62.3	108	23
3/8"	46.5	80.2	85.2	27.5	53.4	65	8	1-1/4"	91.8	151.5	166	56.4	79	128	28
1/2"	54.7	91.5	101.5	31.5	54.6	72	14	1-1/2"	101.5	171	187	66	80	146	34
3/4"	60.5	98	103	39	61.2	92	16.5	2"	116.5	198	219	71	100	180	45