

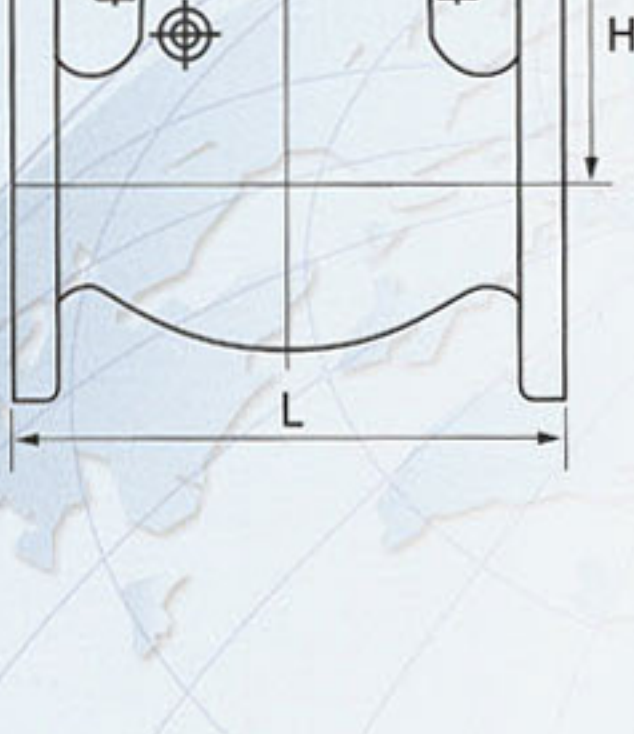


## Shield - Check Valve

**UL Listed. FM Approved.**

**Model: SD763-U Flanged Ends**

The Flanged End Check Valves are made of Iron Body, Bolted Bonnet and Horizontal Swing, painted with standard color. Epoxy coated inside and outside to AWWA C550 up on request. It has renewable seat and discs, Flanged Ends to ANSI B16.1 with working pressure 200 psi for non shock cold water, suitable for Horizontal and Vertical installation.

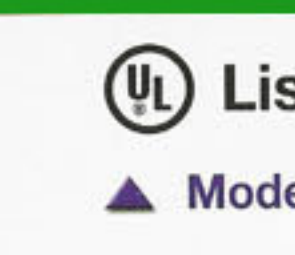


Body	Cast Iron	ASTM A126-B
Bonnet	Cast Iron	ASTM A126-B
Disc	Cast Iron	ASTM A126-B
Stem	Cast Bronze	ASTM B62

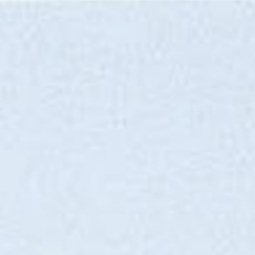
Also available in all Iron Trim disc.

### Product Specifications

Size	L	H	WT LBS
2" (51mm)	8" (203mm)	4-45/64" (119mm)	25
2-1/2" (64mm)	8-1/2" (216mm)	5-13/32" (137mm)	36
3" (76mm)	9-1/2" (241mm)	5-51/64" (147mm)	46
4" (102mm)	11-1/2" (292mm)	6-45/64" (170mm)	81
5" (127mm)	13" (330mm)	7-51/64" (198mm)	115
6" (152mm)	14" (356mm)	8-1/2" (216mm)	150
8" (203mm)	19-1/2" (495mm)	10-13/32" (264mm)	253
10" (254mm)	24-1/2" (622mm)	11-29/32" (302mm)	442
12" (305mm)	27 1/2"	13-1/2" (343mm)	638



## Shield - Check Valve

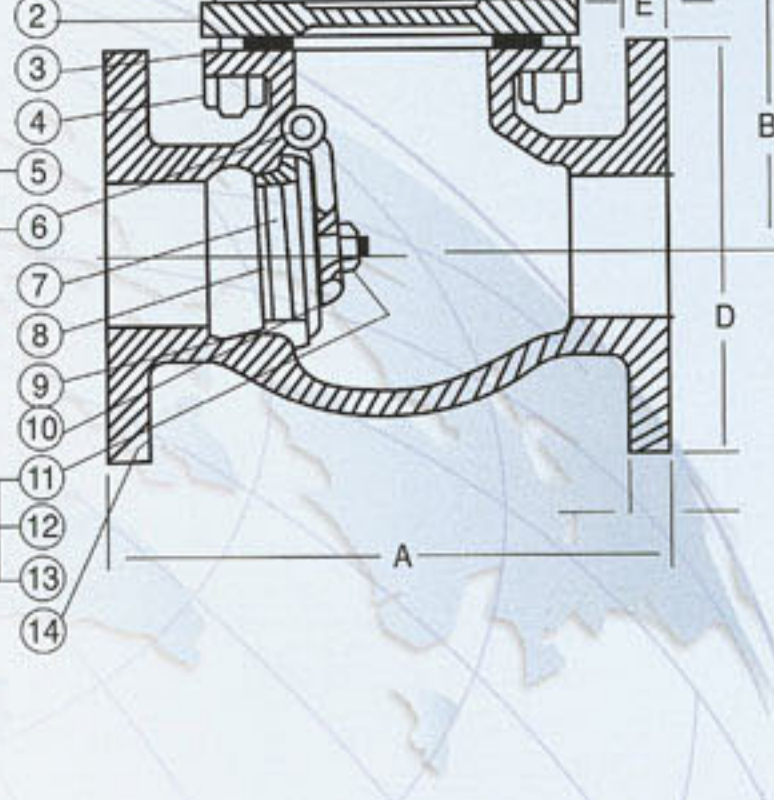


**UL Listed. FM Approved.**

**Model: SD763-U Flanged Ends**

### Materials List

No.	Description	Material	Specification
1	Cover Bolt	Steel	ASTM A-307
2	Cover	Cast Iron	ASTM A126-B
3	Cover Gasket	Non-Asbestos Sheet	
4	Cover Bolt Nut	Steel	ASTM A-307
5	Hanger Pin	Brass	ASTM B-16
6	Side Plug	Steel	ASTM A-307
7	Disc	Cast Iron	ASTM A126-B
8	Disc Seat Ring	Cast Bronze	ASTM B-62
9	Body Seat Ring	Cast Bronze	ASTM B-62
10	Hanger	Ductile Iron	ASTM A-536
11	Disc Nut	Steel	ASTM A307
12	Washer	Steel	ASTM A307
13	Split Pin	Stainless Steel	
14	Body	Cast Iron	ASTM A126-B



### Dimensions & Weights

Nominal Size	Dimensions in Inches				Approx. Net Wt (Lbs)
	A	B	D	E	
2"	8	4 1/2	6	5/8	25
2 1/2"	8 1/2	5 3/8	7	1 1/16	36
3"	9 1/2	5 3/4	7 1/2	3/4	46
4"	11 1/2	6 11/16	9	5/16	81
5"	13	7 3/4	10	15/16	115
6"	14	8 1/2	11	1	150
8"	19 1/2	10 1/2	13 1/2	1 1/8	253
10"	24 1/2	11 1/2	16	1 3/16	442
12"	27 1/2	13 1/2	19	1 1/4	638

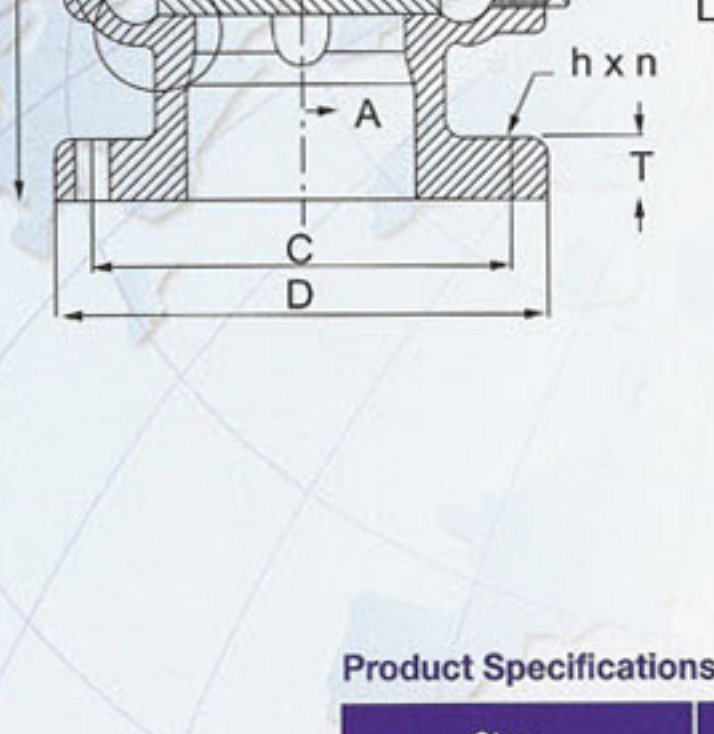


## Shield - Check Valve

**UL Listed. FM Approved.**

**Model: SD-453UF Flanged Ends**

The Check Valve are made from Ductile Iron Body, Vertical swing type dual plate made of cast bronze, EPDM plate seal, painted with standard color. Epoxy coated inside and outside to AWWA C550 up on request It has renewable seat and discs, Flanged Ends to ANSI B16.1 with working pressure 250 psi for non-shock cold water, suitable for Horizontal and Vertical installation.



Body	Ductile Iron	ASTM A536
Plate	Cast Bronze	ASTM B62
Plate Seal	EDPM	Commercial

### Product Specifications

Size	L	H	WT LBS
3" (76mm)	5-1/8" (130mm)	5-1/2" (140mm)	8.8
4" (102mm)	5-5/8" (143mm)	6-5/16" (160mm)	12.3
6" (152mm)	7" (178mm)	9-1/4" (235mm)	27.7
8" (203mm)	8-1/4" (210mm)	11-1/4" (286mm)	48.4
10" (254mm)	10" (254mm)	13-3/8" (340mm)	74.8
12" (305mm)	12" (305mm)	16-1/4" (413mm)	122



## Shield - Check Valve

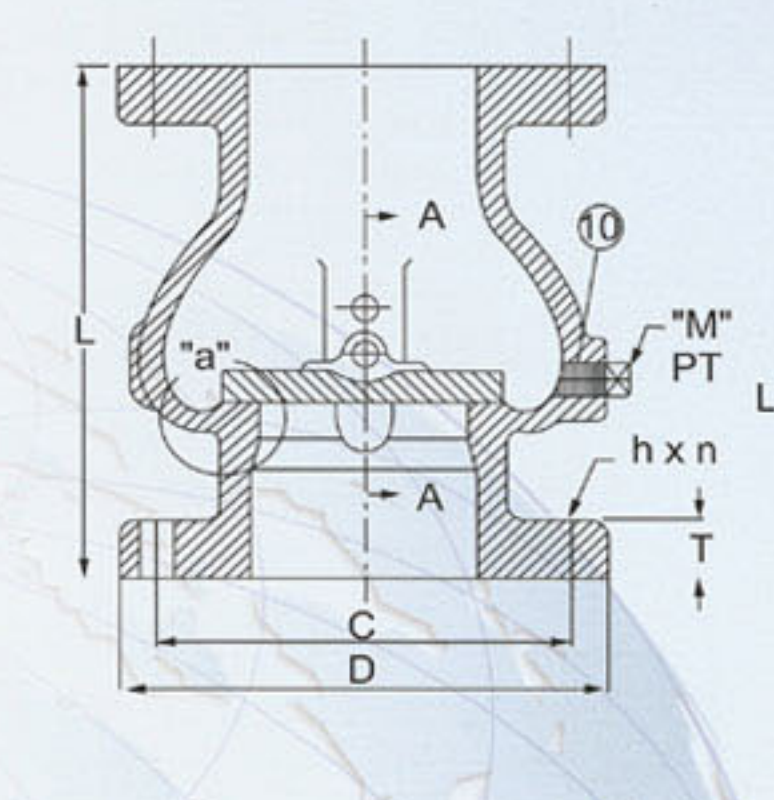


**UL Listed. FM Approved.**

**Model: SD-453UF Flanged Ends**

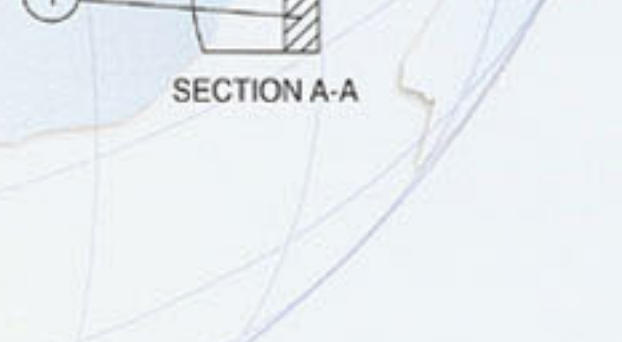
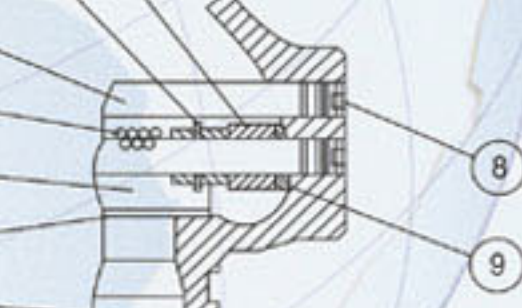
### Materials List

No.	Description	Material	Specification
1	Body	Ductile Iron	ASTM A-536
2	Body Seal	EPDM	
3	Disc	Cast Bronze	ASTM B-62 (C63600)
4	Spring	Stainless Steel	AISI-316
5	Hinge Pin	Stainless Steel	AISI-316
6	Washer	Teflon	
7	Thrust Washer	Teflon	
8	Plug	Mild Steel	ASTMA105-80
9	Washer	Teflon	
10	Square Plug	Mild Steel	ASTMA105-80



### Dimensions & Weights

Normal Size	Dimensions in Inches							Unit: inch	Net. Wt.
	L	C	D	T	D	M	P T		
3"	6-5/8	6	7-1/2	3/4	5/16	1/2		8.8	
4"	7-1/2	7-1/2	9	15/16	3/16	1/2		12.3	
6"	9	9-1/2	11	1	3/16	3/16		27.7	
8"	10-1/2	11-3/4	13-1/2	1-1/8	7/16	3/4		48.4	

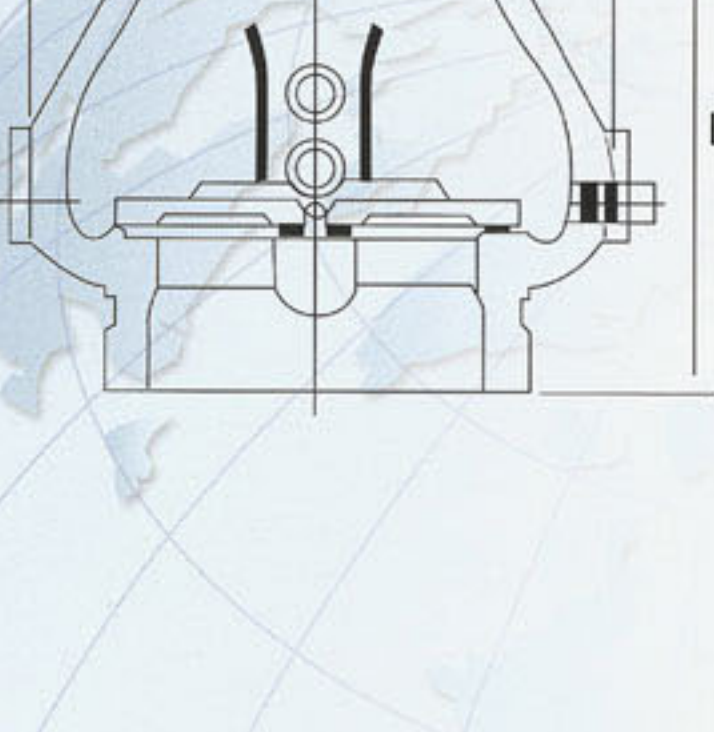


## Shield - Check Valve

**UL Listed. FM Approved.**

**Model: SD-453UG Grooved Ends**

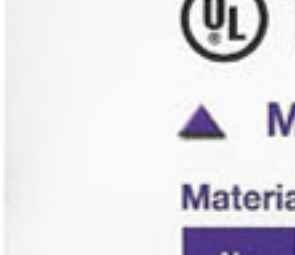
The Check Valve are made from Ductile Iron Body, Vertical swing type dual plate made of cast bronze, EPDM plate seal, painted with standard color. Epoxy coated inside and outside to AWWA C550 up on request. It has renewable seat and discs, Grooved Ends with working pressure 250 psi for non-shock cold water, suitable for Horizontal and Vertical installation.



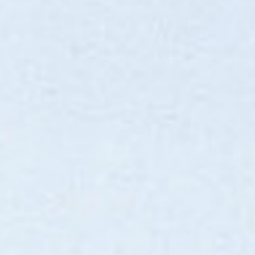
Body	Ductile Iron	ASTM A536
Plate	Cast Bronze	ASTM B62
Plate Seal	EPDM	Commercial

### Product Specifications

Size	L	H	WT LBS
3" (76mm)	5-1/8" (130mm)	5-1/2" (140mm)	8.8
4" (102mm)	5-5/8" (143mm)	6-5/16" (160mm)	12.3
6" (152mm)	7" (178mm)	9-1/4" (235mm)	27.7
8" (203mm)	8-1/4" (210mm)	11-1/4" (286mm)	48.4
10" (254mm)	10" (254mm)	13-3/8" (340mm)	74.8
12" (305mm)	12" (305mm)	16-1/4" (413mm)	122



## Shield - Check Valve

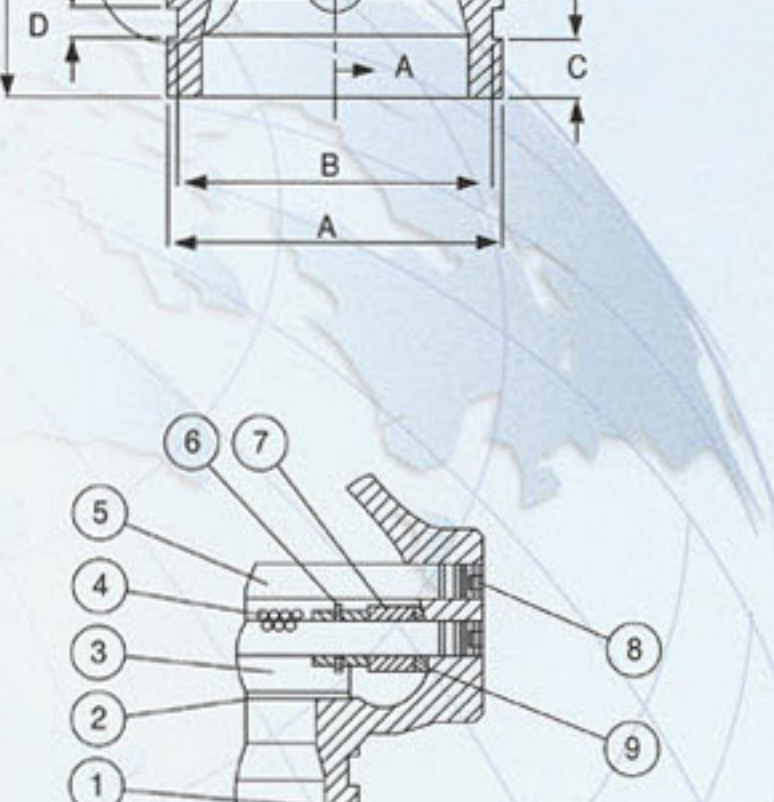


**UL Listed. FM Approved.**

**Model: SD453-UG Grooved Ends**

### Materials List

No.	Description	Material	Specification
1	Body	Ductile Iron	ASTM A536
2	Body Seal	EPDM	
3	Disc	Cast Bronze	ASTM B62(C63600)
4	Spring	Stainless Steel	AISI 316
5	Hinge Pin	Stainless Steel	AISI 316
6	Washer	Teflon	
7	Thrust Washer	Teflon	
8	Plug	Mild Steel	A105-80
9	Washer	Teflon	
10	Square Plug	Mild Steel	A307-B



### Dimensions & Weights

Normal Size	Dimensions in Inches							Unit: inch	Net. Wt.
	L	A	B	C	D	M P T			
3"	5-1/8	3-1/2	3-11/32	5/8	3/16	1/2		8.8	
4"	5-5/8	4-1/2	4-21/32	5/8	3/16	1/2		12.3	
6"	7	6-5/8	6-29/64	5/8	3/16	3/16		27.7	
8"	8-1/4	8-5/8	8-7/16	3/4	7/16	3/4		48.4	

### NOTE:

Valve groove dimensions per AWWA C-606 for steel pipe of I.P.S. dimensions. Optional grooved end configurations for ductile cast iron pipe per AWWA C-606 available upon request.

