



Shield - Butterfly Valves, Grooved

UL Listed.

Model: SDBV-G

Specifications

Size : 2 -1/2" Through 8"
 Working Press. : 175 psi
 Max. Test Press. : 350 psi
 Working Temp. : 250° F (120° C)
 Factory Installed UL Approved Tamper Switch.

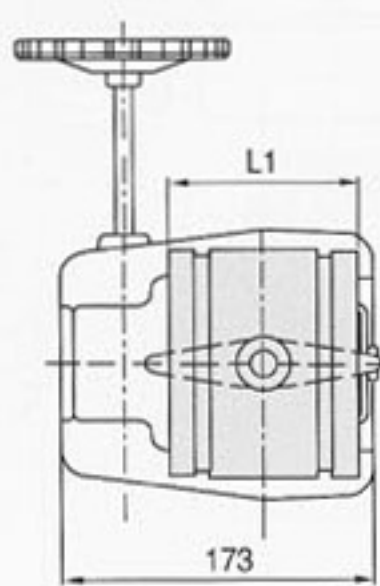
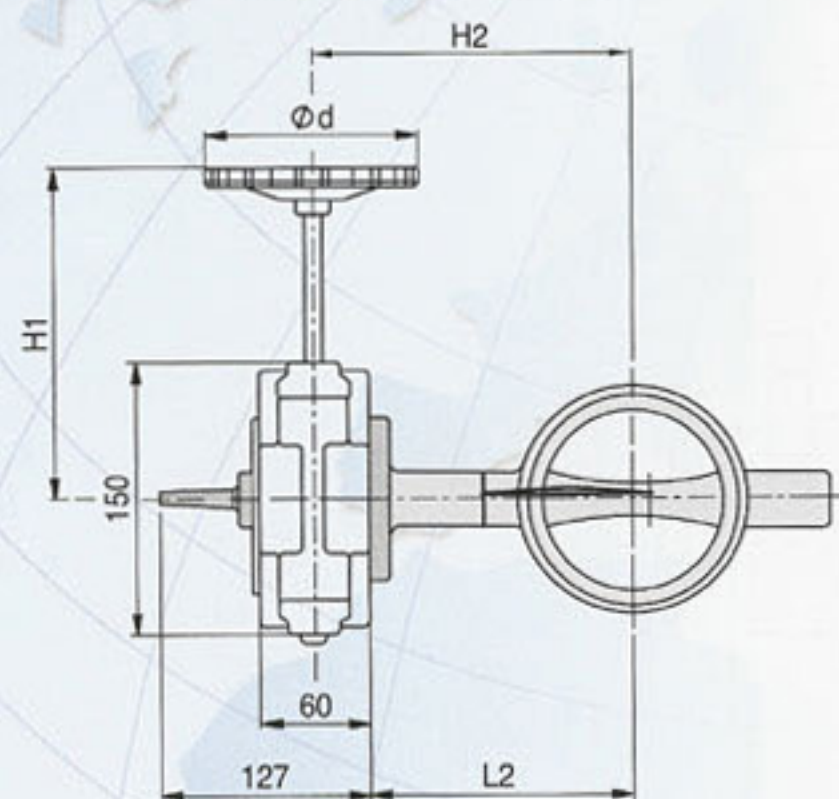
Material

Body : Ductile Iron, Nylon - 11 Coated
 Disc : Al-Bronze, Ductile Iron, EPDM Encapsulated
 Stem : Stainless Steel, Hardened & Tempered



Technical Data

Dimensions (SCH 40, C=120)



Dimensions - Weights

Unit : mm(inch)

Size	Pipe O.D	L1	L2	H1	H2	d	P.C.D	Weight (kg)
2-1/2"	73.0	96.4	105	135	135	125	-	8.2
3"	88.9	96.4	112	135	142	125	-	9.0
4"	114.3	115.4	145	135	175	125	-	10.7
6"	168.3	132.4	179	193	209	225	-	15.2
8"	219.1	147.4	204	193	234	225	-	20.4

Shield - Butterfly Valves, Wafer

UL Listed.

Model: SDBV-W



Specifications

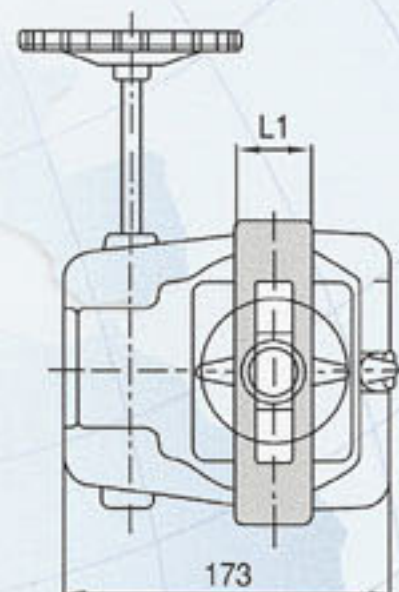
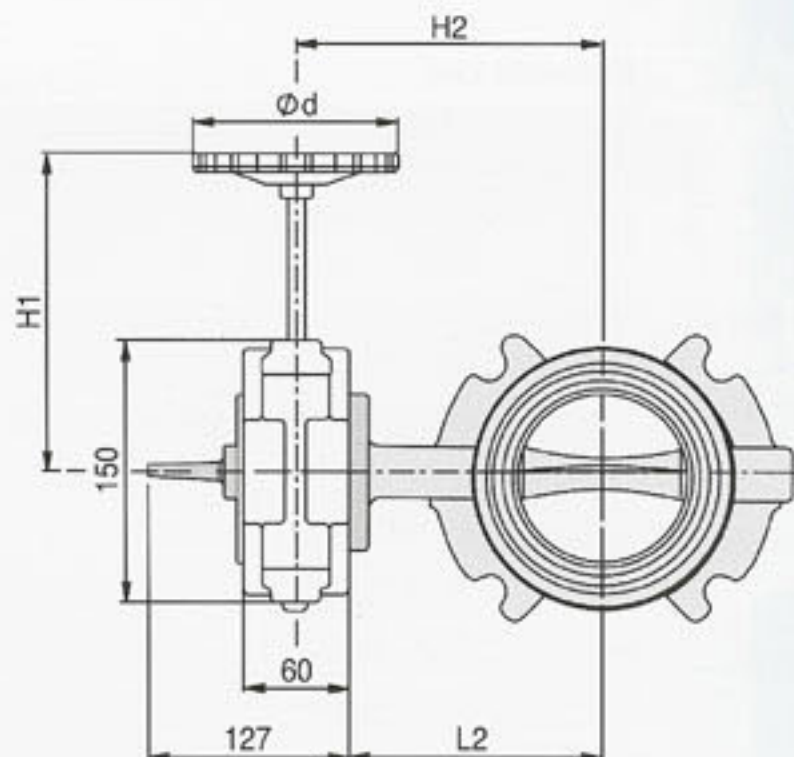
Size : 2 -1/2" Through 8"
 Working Press. : 175 psi
 Max. Test Press. : 350 psi
 Working Temp. : 250° F (120° C)
 Factory Installed UL Approved Tamper Switch.

Material

Body : Ductile Iron, EPDM Encapsulated
 Disc : Al-Bronze, Ni-Cr Plated
 Stem : Stainless Steel, Hardened & Tempered

Technical Data

Dimensions (SCH 40, C=120)



Dimensions - Weights

Unit : mm(inch)

Size	Pipe O.D	L1	L2	H1	H2	d	P.C.D	Weight (kg)
2-1/2"	-	49.0	120	135	150	125	139.5	8.8
3"	-	49.0	127	135	157	125	152.5	9.3
4"	-	55.0	145	135	175	125	180.5	9.8
6"	-	59.0	180	193	210	225	241.0	13.1
8"	-	63.0	204	193	234	225	298.5	17.0

