

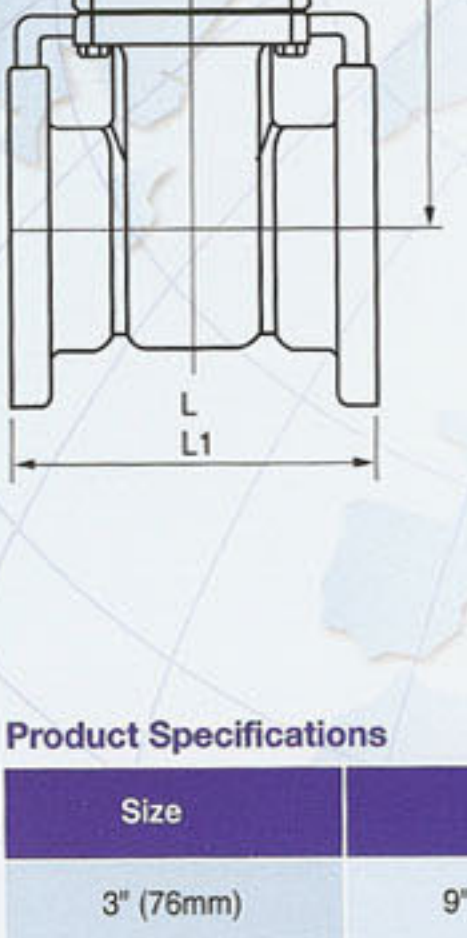


## Shield - Non Rising Stem Gate Valves

**UL** Listed. **FM** Approved.

- ▲ Model: SD-710UF Flanged Ends
- ▲ Model: SD-710UM Mechanical Ends

The Non-Rising Stem Gate valves are made from Iron Body, Bronze mounted, Non-Rising Stem. Meets or exceeds all requirements of AWWA C509, Painted with the standard, Epoxy coated inside and outside to AWWA C550 upon request. The mechanical ends comply with AWWA C111 and ANSI A21.11. Flanged ends to ANSI B16.1 with working pressure 175 psi for non shock cold water.

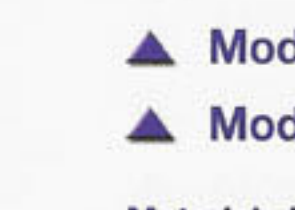


Body	Cast Iron	ASTM A126-B
Bonnet	Cast Iron	ASTM A126-B
Disc	Cast Iron	ASTM A126-B
Stem	Brass	ASTM B16
Seat ring	Cast Bronze	ASTM B62

### Product Specifications

Size	L	L1	D	WT LBS
3" (76mm)	9" (229mm)	8" (203mm)	12- <sup>3</sup> / <sub>32</sub> " (307mm)	74
4" (102mm)	10" (254mm)	9" (229mm)	13- <sup>45</sup> / <sub>64</sub> " (348mm)	103
6" (152mm)	11- <sup>1</sup> / <sub>2</sub> " (292mm)	10- <sup>1</sup> / <sub>2</sub> " (267mm)	18-3/32" (460mm)	179
8" (203mm)	11- <sup>1</sup> / <sub>2</sub> " (292mm)	11- <sup>1</sup> / <sub>2</sub> " (292mm)	21" (533mm)	261
10" (254mm)	13" (330mm)	13" (330mm)	24- <sup>19</sup> / <sub>32</sub> " (625mm)	409
12" (305mm)	14" (356mm)	14" (356mm)	28- <sup>13</sup> / <sub>64</sub> " (716mm)	552

L : Mechanical Joint Ends comply with Awwa C111 and ANSI A21.11  
L1: Flanged Ends have 125 lb. American Standard End Flange Drilling ANSI B16.1.



## Shield - Non Rising Stem Gate Valves

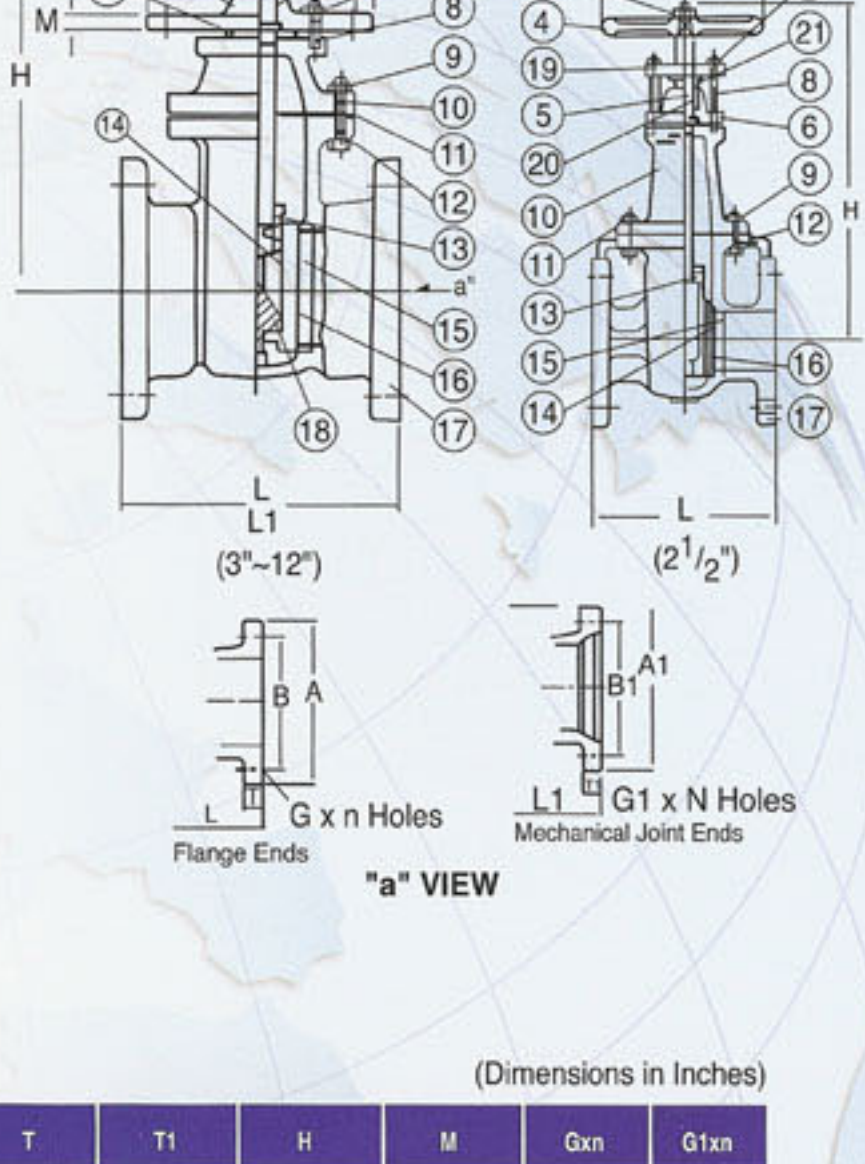


**UL** Listed. **FM** Approved.

- ▲ Model: SD710UF Flanged Ends
- ▲ Model: SD710UM Mechanical Ends

### Materials List

No.	Description	Material	Specification
1	Stem Nut	Steel	ASTM A307-B
2	O-ring	Nitrile Rubber	
3	Box Bolt Nut	Steel	ASTM A307-B
4	Operating Nut (flanged when)	Cast Iron	ASTM A126-B
5	Stem	Brass	ASTM B-21
6	Box	Cast Iron	ASTM A126-B
7	Gasket	Non Asbestos	
8	Stud Bolt	Steel	ASTM A307-B
9	Bonnet Bolt Nut	Steel	ASTM A307-B
10	Bonnet	Cast Iron	ASTM A126-B
11	Gasket	Non Asbestos	
12	Hexagon Bolt	Steel	ASTM A307-B
13	Disc Nut	Cast Bronze	ASTM B62
14	Disc	Cast Iron	ASTM A126-B
15	Body Seat Ring	Cast Bronze	ASTM B62
16	Disc Seat Ring	Cast Iron	ASTM B62
17	Body	Cast Iron	ASTM A126-B
18	Wedge Pin	Cast Bronze	ASTM B-62
19	Gland Flange	Ductile Iron	ASTM A 536
20	Gland	Non-Asbestos Packing	
21	Gland	Cast Bronze	ASTM B-62



### Dimensions & Weights

size	mark	A	A1	B	B1	L	L1	T	T1	H	M	Gxn	G1xn
2- <sup>1</sup> / <sub>2</sub> "	7			5.5		7.5		0.69		13.27		3/4 x 4	
3"	7.5	7.69	6	6.19	8	9	0.75	0.94	12.07	0.65	3/4 x 4	3/4 x 4	
4"	9	9.12	7.5	7.5	9	10	0.94	1	13.65	0.65	3/4 x 8	7/8 x 4	
6"	11	11.12	9.5	9.5	10.5	11.5	1	1.06	18.06	0.75	7/8 x 8	7/8 x 6	
8"	13.5	13.37	11.75	11.75	11.5	11.5	1.13	1.12	20.99	0.75	7/8 x 8	7/8 x 6	
10"	16	15.63	14.25	14	13	13	1.18	1.19	24.6	0.81	1 x 12	7/8 x 8	
12"	19	17.88	17	16.25	14	14	1.25	1.25	28.23	0.87	1 x 12	7/8 x 8	



## Shield - Non Rising Stem Gate Valves



**UL** Listed. **FM** Approved.

- ▲ Model: SD721-UF Flanged Ends
- ▲ Model: SD721-UM Mechanical Ends
- ▲ Model: SD721-G Grooved Ends

The Non-Rising Stem Gate valves are made from Iron Body, Bronze mounted, Non-Rising Stem. Meets or exceeds all requirements of AWWA C509, Painted with standard color, Epoxy coated inside and outside to AWWA C550 upon request. The mechanical ends comply with AWWA C111 and ANSI A21.11, the Flanged ends to ANSI B16.1 working pressure 200 psi for non shock cold water.



Body	Cast Iron	ASTM A126-B
Bonnet	Cast Iron	ASTM A126-B
Disc	Cast Iron	Coated with EPDM
Stem	Brass	ASTM B16

### Product Specifications

Size	L	H	D	WT LBS
2-1/2" (64mm)	7-1/2" (191mm)	7-1/2" (191mm)	9-61/64" (253mm)	42.2
3" (76mm)	9-1/2" (241mm)	8" (203mm)	13-55/64" (352mm)	77.0
4" (102mm)	11" (279mm)	9" (229mm)	14-21/64" (364mm)	90.2
6" (152mm)	12" (305mm)	10-1/2" (267mm)	18-17/64" (464mm)	146.1
8" (203mm)	12-1/2" (318mm)	11-1/2" (292mm)	21-45/64" (551mm)	228.8
10" (254mm)	14-3/4" (375mm)	13" (330mm)	25-5/8" (651mm)	387.4



## Shield - Non Rising Stem Gate Valves



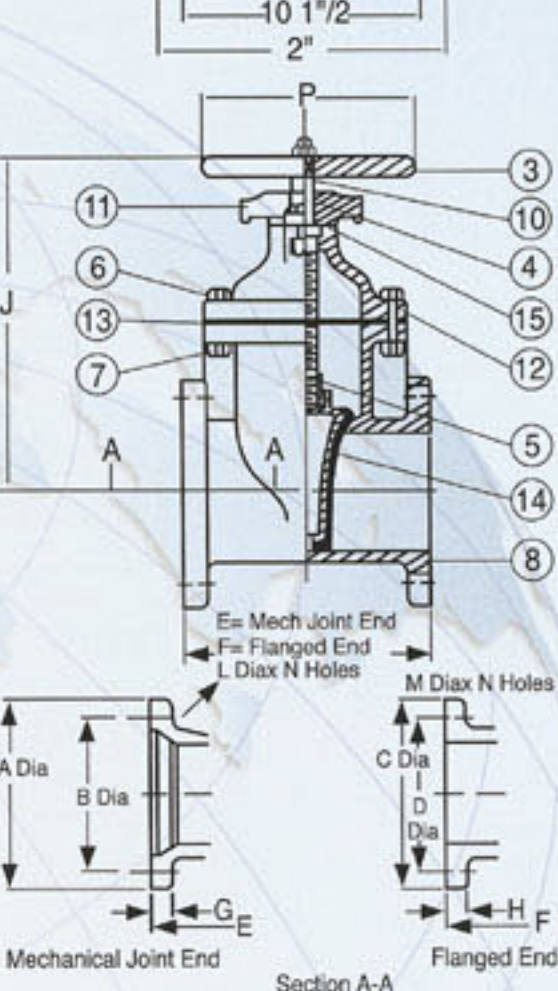
**UL** Listed. **FM** Approved.

- ▲ Model: SD721-UF Flanged Ends
- ▲ Model: SD721-UM Mechanical Ends
- ▲ Model: SD721-G Grooved Ends

### Materials List

No.	Description	Material	Specification
1	Ind. Post Flange	Cast Iron	ASTM A126-B
2	Nut	Steel	ASTM A307-B
3	Handwheel	Cast Iron	ASTM A126-B
4	O-ring	EPDM	Commercial
5	Disc Nut	Cast Bronze	ASTM B-62
6	Bolt	Steel	ASTM A307-B
7	Nut	Steel	ASTM A307-B
8	Body	Cast Iron	ASTM A126-B
9	Operating Nut	Cast Iron	ASTM A126-B
10	Stem	Brass	ASTM B-16
11	Stuffing Box	Cast Iron	ASTM A126-B
12	Bonnet	Cast Iron	ASTM A126-B
13	Rubber Gasket	EPDM	Commercial
14	Disc	Cast Iron EPDM Coating	ASTM A126-B Commercial
15	O-ring	EPDM	Commercial

\* Stem is also available in Bronze or Stainless Steel



### Dimensions & Weights

Nominal Size	Dimensions in Inches													Approx Net Wt. (lbs)	
	A	B	C	D	E	F	G	H	J	K	LxN	MxN	P	721-UF	721-UM
2-1/2"	-	-	7.0	5.5	-	7.5	-	0.69	10.0	-	-	3/4 x 4	7	42	-
3"	7.69	6.19	7.5	6.0	9.50	8.0	0.94	0.75	13.9	0.65	3/4 x 4	3/4 x 4	8	77	90
4"	9.12	7.50	9.0	7.5	11.00	9.0	1.00	0.94	14.3	0.65	29/32 x 4	3/4 x 8	10	104	122
6"	11.12	9.50	11.0	9.5	12.00	10.5	1.06	1.00	18.3	0.75	29/32 x 6	7/8 x 8	12	182	207
8"	13.37	11.75	13.5	11.8	12.50	11.5	1.12	1.13	21.7	0.75	29/32 x 6	7/8 x 8	14	246	295
10"	15.62	14.00	16.0	14.3	14.25	13.0	1.19	1.18	25.6	0.81	29/32 x 8	1 x 2	16	436	498



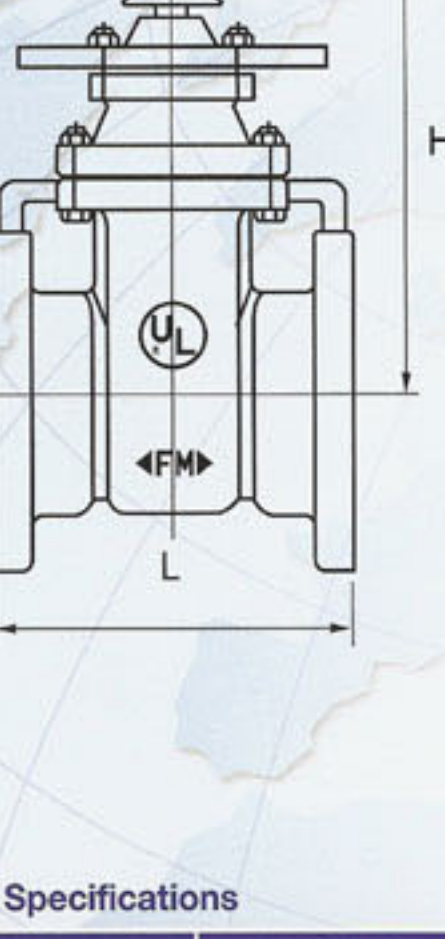
## Shield - Non Rising Stem Gate Valves



**UL** Listed. **FM** Approved.

- ▲ Model: SD-721HF Flanged Ends
- ▲ Model: SD-721HM Mechanical Ends

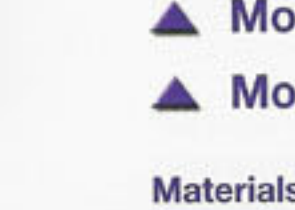
The Non-Rising Stem Gate valves are made from Iron Body, Bronze mounted, Non-Rising Stem, meets or exceeds all requirements of AWWA C509, Painted with standard color, Epoxy coated inside and outside to AWWA C550 upon request. The mechanical ends comply with AWWA C111 and ANSI A21.11, the Flanged Ends to ANSI B 16.1 with working pressure 250 psi for non shock cold water.



Body	Cast Iron	ASTM A126-B
Bonnet	Cast Iron	ASTM A126-B
Disc	Cast Iron	Coated with EPDM
Stem	Brass	ASTM B16

### Product Specifications

Size	L	H	D	WT LBS
2-1/2" (64mm)	7-1/2" (191mm)	7-1/2" (191mm)	9-61/64" (253mm)	42.2
3" (76mm)	9-1/2" (241mm)	8" (203mm)	13-55/64" (352mm)	77.0
4" (102mm)	11" (279mm)	9" (229mm)	14-21/64" (364mm)	90.2
6" (152mm)	12" (305mm)	10-1/2" (267mm)	18-17/64" (464mm)	146.1
8" (203mm)	12-1/2" (318mm)	11-1/2" (292mm)	21-45/64" (551mm)	228.8
10" (254mm)	14-3/4" (375mm)	13" (330mm)	25-5/8" (651mm)	387.4



## Shield - Non Rising Stem Gate Valves



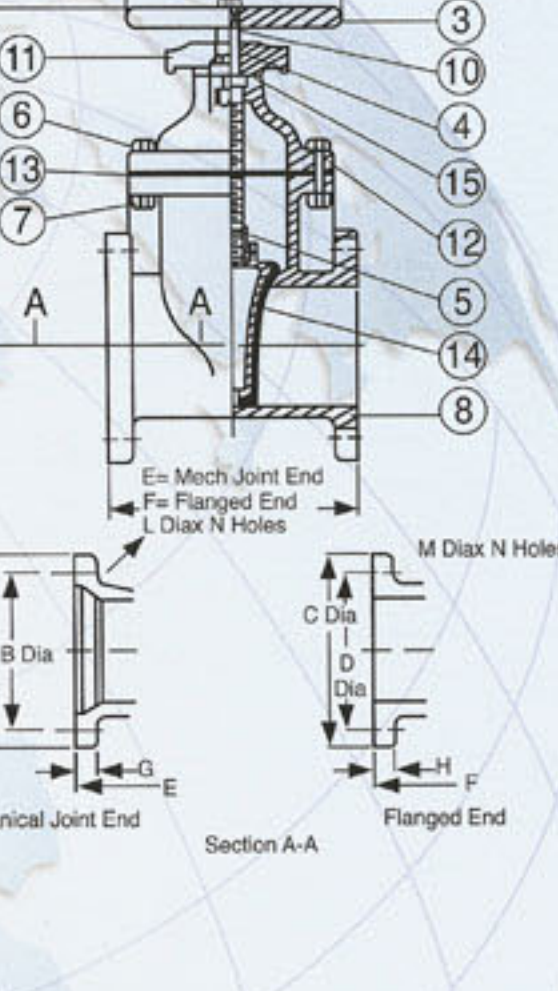
**UL** Listed. **FM** Approved.

- ▲ Model: SD-721HF Flanged Ends
- ▲ Model: SD-721HM Mechanical Ends

### Materials List

No.	Description	Material	Specification
1	Ind. Post Flange	Cast Iron	ASTM A126-B
2	Nut	Steel	ASTM A307-B
3	Handwheel	Cast Iron	ASTM A126-B
4	O-ring	EPDM	Commercial
5	Disc Nut	Cast Bronze	ASTM B-62
6	Bolt	Steel	ASTM A307-B
7	Nut	Steel	ASTM A307-B
8	Body	Cast Iron	ASTM A126-B
9	Operating Nut	Cast Iron	ASTM A126-B
10	Stem	Brass	ASTM B-16
11	Stuffing Box	Cast Iron	ASTM A126-B
12	Bonnet	Cast Iron	ASTM A126-B
13	Rubber Gasket	EPDM	Commercial
14	Disc	Cast Iron EPDM Coating	ASTM A126-B Commercial
15	O-ring	EPDM	Commercial

\* Stem is also available in Bronze or Stainless Steel



### Dimensions & Weights

Nominal Size	Dimensions in Inches													Approx Net Wt. (lbs)	
	A	B	C	D	E	F	G	H	J	K	LxN	MxN	P	721-UF	721-UM
2-1/2"	-	-	7.0	5.5	-	7.5	-	0.69	10.0	-	-	3/4 x 4	7	42	-
3"	7.69	6.19	7.5	6.0	9.50	8.0	0.94	0.75	13.9	0.65	3/4 x 4	3/4 x 4	8	77	90
4"	9.12	7.50	9.0	7.5	11.00	9.0	1.00	0.94	14.3	0.65	29/32 x 4	3/4 x 8	10	104	122
6"	11.12	9.50	11.0	9.5	12.00	10.5	1.06	1.00	18.3	0.75	29/32 x 6	7/8 x 8	12	182	207
8"	13.37	11.75	13.5	11.8	12.50	11.5	1.12	1.13	21.7	0.75	29/32 x 6	7/8 x 8	14	246	295
10"	15.62	14.00	16.0	14.3	14.25	13.0	1.19	1.18	25.6	0.81	29/32 x 8	1 x 2	16	436	498