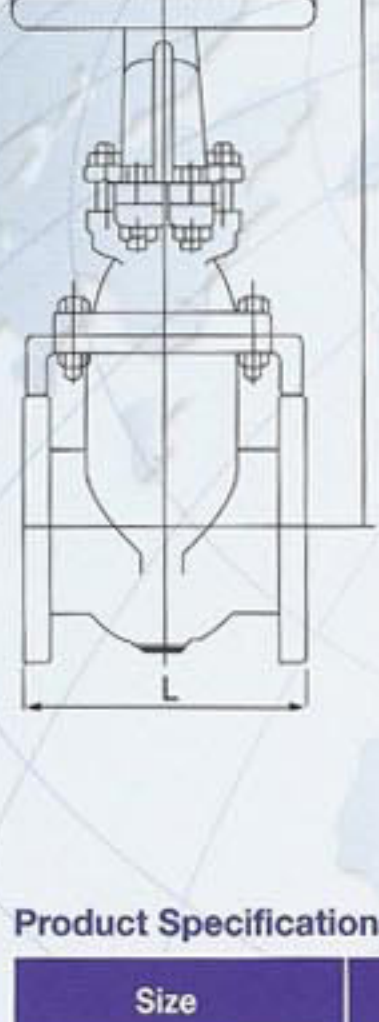


Shield - O S & Y Gate Valves

UL Listed. FM Approved.

Model: SD-762U

The Outside Screw and Yoke (O.S.&Y) type Gate Valves are made from Iron Body, Bronze mounted and Bolted Bonnet. They meet and exceed all requirements of AWWA C509. Upon request, they are painted to the AWWA C550 standard, with Epoxy coated inside and outside. The Flanged ends are standardised to ANSI B16.1 class 125 working pressure 175 psi non-shock cold water.



Body	Cast Iron	ASTM A126-B
Bonnet	Cast Iron	ASTM A126-B
Disc	Cast Iron	ASTM A126-B
Stem	Brass	ASTM B16
Seat ring	Cast Bronze	ASTM B62
Packing	Non-Asbestos Packing	

Product Specifications

Size	L	H	D	WT LBS
2" (51mm)	7" (178mm)	14-45/64" (373mm)	7" (178mm)	36.0
2-1/2" (64mm)	7-1/2" (191mm)	16-45/64" (424mm)	7" (178mm)	48.0
3" (76mm)	8" (203mm)	18-29/32" (480mm)	8" (203mm)	60.0
4" (102mm)	9" (229mm)	23-13/32" (594mm)	10" (254mm)	103.0
6" (152mm)	10-1/2" (267mm)	32-13/64" (818mm)	12" (305mm)	186.0
8" (203mm)	11-1/2" (292mm)	39-1/2" (1003mm)	14" (356mm)	298.0
10" (254mm)	13" (330mm)	48-13/64" (1224mm)	16" (406mm)	441.0
12" (305mm)	14" (356mm)	56-3/32" (1425mm)	18" (457mm)	628.0

Shield - O S & Y Gate Valves

UL Listed. FM Approved.

Model: SD-762U

Materials List

No.	Description	Material	Specification
1	Handwheel Nut	Ductile Iron	ASTM A-536
2	Handwheel	Cast Iron	ASTM A-126-B
3	Yoke Sleeve Nut	Cast Iron	ASTM A-126-B
4	Yoke Sleeve	Cast Bronze	ASTM B-62
5	Stem	Brass	ASTM B-16
6	Yoke	Cast Iron	ASTM A126-B
7	Yoke Bolt	Steel	ASTM A307-B
8	Yoke Bolt Nut	Steel	ASTM A307-B
9	Packing Gland Nut	Brass	ASTM B-16
10	Packing Gland Flange	Ductile Iron	ASTM A-536
11	Packing Gland Bolt	Steel	ASTM A307-B
12	Packing Gland	Cast Bronze	ASTM B-62
13	Packing	Non-Asbestos Packing	
14	Back seat Bushing	Cast Iron	ASTM B-62
15	Bonnet	Cast Iron	ASTM A126-B
16	Bonnet Bolt	Steel	ASTM A307-B
17	Bonnet Bolt Nut	Steel	ASTM A307-B
18	Bonnet Gasket	Non-Asbestos	
19	Body	Cast Iron	ASTM A-126-B
20	Disc	Cast Iron	ASTM A-126-B
21	Body Seat Ring	Cast Bronze	ASTM B-62
22	Disc Seat Ring	Cast Bronze	ASTM B-62

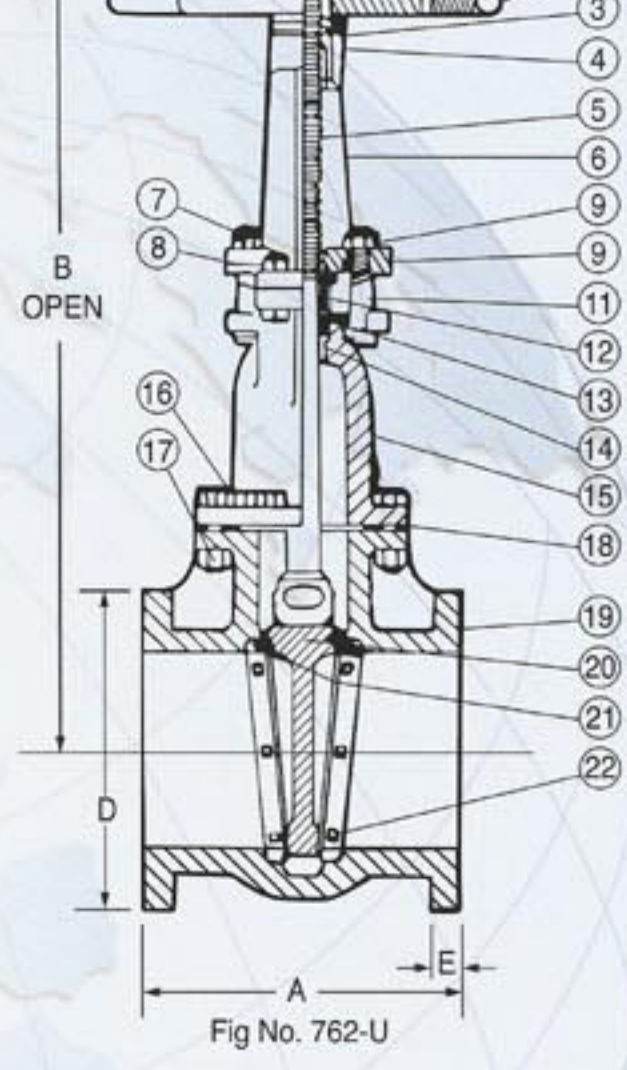


Fig No. 762-U

Dimensions & Weights

Nominal Size	Dimensions in inches					Approx. Net Wt (Lbs)
	A	B	C	D	E	
2"	7	14 ³ / ₄	7	6	5 ⁹ / ₁₆	36
2 ¹ / ₂ "	7 ¹ / ₂	16 ⁵ / ₁₆	7	7	1 ¹ / ₁₆	48
3"	8	17 ¹³ / ₁₆	8	7 ¹ / ₂	3 ³ / ₄	60
4"	9	22 ³ / ₁₆	10	9	1 ⁹ / ₁₆	103
6"	10 ¹ / ₂	30 ³ / ₄	12	11	1	186
8"	11 ¹ / ₂	36 ⁵ / ₁₆	14	13 ¹ / ₂	1 ¹ / ₈	298
10"	13	46 ⁵ / ₁₆	16	16	1 ³ / ₁₆	441
12"	14	54 ³ / ₄	18	19	1 ¹ / ₄	628

Shield - O S & Y Resilient Wedge Gate Valves

UL Listed. FM Approved.

Model: SD-722U Flanged End

Model: SD-722G Grooved End

The Outside Screw and Yoke (O.S.&Y) type Resilient Solid Wedge Gate Valves are made from Iron Body, Bronze mounted and Bolted Bonnet. They meet and exceed all requirements of AWWA C509. Upon request, they are painted to the AWWA C550 standard, with Epoxy coated inside and outside. The Flanged ends are standardised to ANSI B16.1 Class 125 with working pressure 200 psi non-shock cold water.



Body	Cast Iron	ASTM A126-B
Bonnet	Cast Iron	ASTM A126-B
Disc	Cast Iron	ASTM A126-B
Stem	Brass	ASTM B16
Seat ring	Cast Bronze	ASTM B62
Packing	Asbestos or Non-Asbestos Packing	

Product Specifications

Size	L	H	D	WT LBS
2-1/2" (64mm)	7-1/2" (191mm)	14-3/32" (358mm)	7" (178mm)	43.6
3" (76mm)	8" (203mm)	20-29/32" (531mm)	10" (254mm)	84.5
4" (102mm)	9" (229mm)	22-19/64" (566mm)	10" (254mm)	95.9
6" (152mm)	10-1/2" (267mm)	30-1/2" (775mm)	12" (305mm)	176.0
8" (203mm)	11-1/2" (292mm)	38-13/64" (970mm)	14" (356mm)	279.4
10" (254mm)	13" (330mm)	46-13/64" (1173mm)	16" (406mm)	434.5
12" (305mm)	14" (356mm)	54-29/32" (1394mm)	18" (457mm)	607.2

Shield - O S & Y Resilient Wedge Gate Valves

UL Listed. FM Approved.

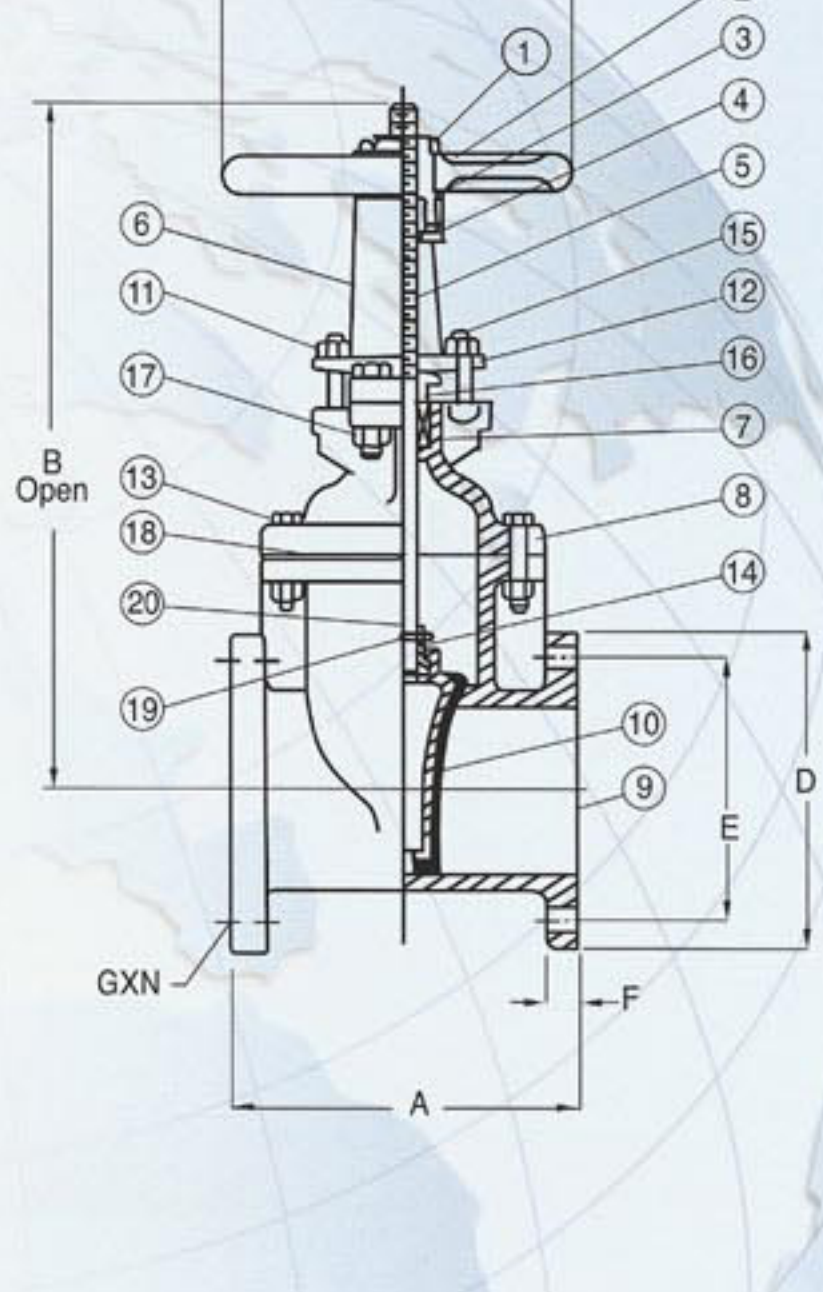
Model: SD-722U Flanged End

Model: SD-722G Grooved End

Materials List

No.	Description	Material	Specification
1	Handwheel Nut	Ductile Iron	ASTM A-536
2	Handwheel	Cast Iron	ASTM A-126-B
3	Yoke Sleeve Nut	Ductile Iron	ASTM A-536
4	Yoke Sleeve	Cast Bronze	ASTM B-62
5	Stem	Brass	ASTM B-16
6	Yoke	Cast Iron	ASTM A126-B
7	Packing	Non-Asbestos	Commercial
8	Bonnet	Cast Iron	ASTM A-126-B
9	Disc	Cast Iron	ASTM A126-B
10	Body	Cast Iron	ASTM A126-B
11	Nut	Steel	ASTM A307-B
12	Gland Flange	Ductile Iron	ASTM A-536
13	Bolt	Steel	ASTM A307-B
14	Disc Nut	Cast Bronze	ASTM B-62
15	Bolt	Steel	ASTM A307-B
16	Gland	Cast Bronze	ASTM B-62
17	Nut	Steel	ASTM A307-B
18	Rubber Gasket	EPDM	Commercial
19	Pin	Steel	ASTM A307-B
20	O-ring	EPDM	Commercial

* Stem also available in Bronze or Stainless Steel



Dimensions & Weights

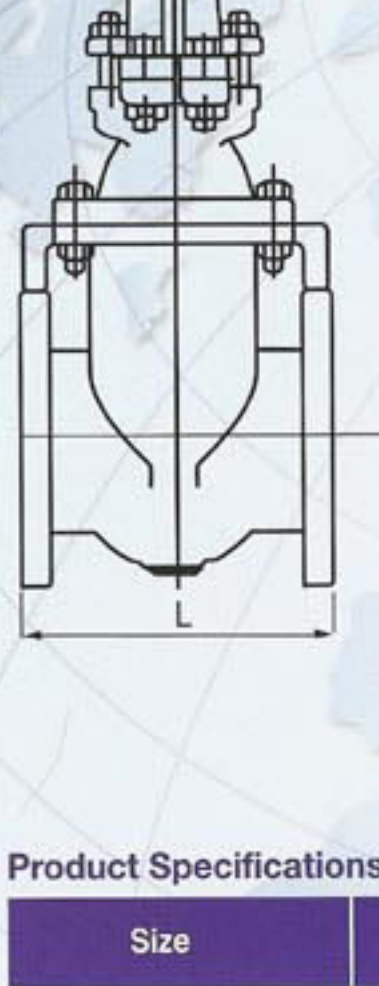
Nominal Size	Dimensions in inches							Approx. Net Wt (Lbs)
	A	B	C	D	E	F	GxN	
2 ¹ / ₂ "	7.5	14.1	7.0	7.0	5.50	0.69	3/4x4	44
3"	8.0	20.9	10.0	7.5	6.00	0.75	3/4x3	85
4"	9.0	22.3	10.0	9.0	7.50	0.94	3/4x8	96
6"	10.5	30.5	12.0	11.0	9.50	1.00	7/8x8	176
8"	11.5	38.2	14.0	13.5	11.75	1.12	7/8x8	279
10"	13.0	46.2	16.0	16.0	14.25	1.19	1X12	435

Shield - O S & Y Resilient Wedge Gate Valves

UL Listed. FM Approved.

Model: SD-722H

The Outside Screw and Yoke (O.S.&Y) type Resilient Solid Wedge Gate Valves are made from Iron Body, Bronze mounted and Bolted Bonnet. They meet and exceed all requirements of AWWA C509. Upon request, they are painted to the AWWA C550 standard, with Epoxy coated inside and outside. The Flanged ends are standardised to ANSI B16.1 Class 150 with working pressure 250 psi non-shock cold water.



Body	Cast Iron	ASTM A126-B
Bonnet	Cast Iron	ASTM A126-B
Disc	Cast Iron	ASTM A126-B
Stem	Brass	ASTM B16
Seat ring	Cast Bronze	ASTM B62
Packing	Asbestos or Non-Asbestos Packing	

Product Specifications

Size	L	H	D	WT LBS
2-1/2" (64mm)	7-1/2" (191mm)	14-3/32" (358mm)	7" (178mm)	43.6
3" (76mm)	8" (203mm)	20-29/32" (531mm)	10" (254mm)	84.5
4" (102mm)	9" (229mm)	22-19/64" (566mm)	10" (254mm)	95.9
6" (152mm)	10-1/2" (267mm)	30-1/2" (775mm)	12" (305mm)	176.0
8" (203mm)	11-1/2" (292mm)	38-13/64" (970mm)	14" (356mm)	279.4
10" (254mm)	13" (330mm)	46-13/64" (1173mm)	16" (406mm)	434.5
12" (305mm)	14" (356mm)	54-29/32" (1394mm)	18" (457mm)	607.2

Shield - O S & Y Resilient Wedge Gate Valves

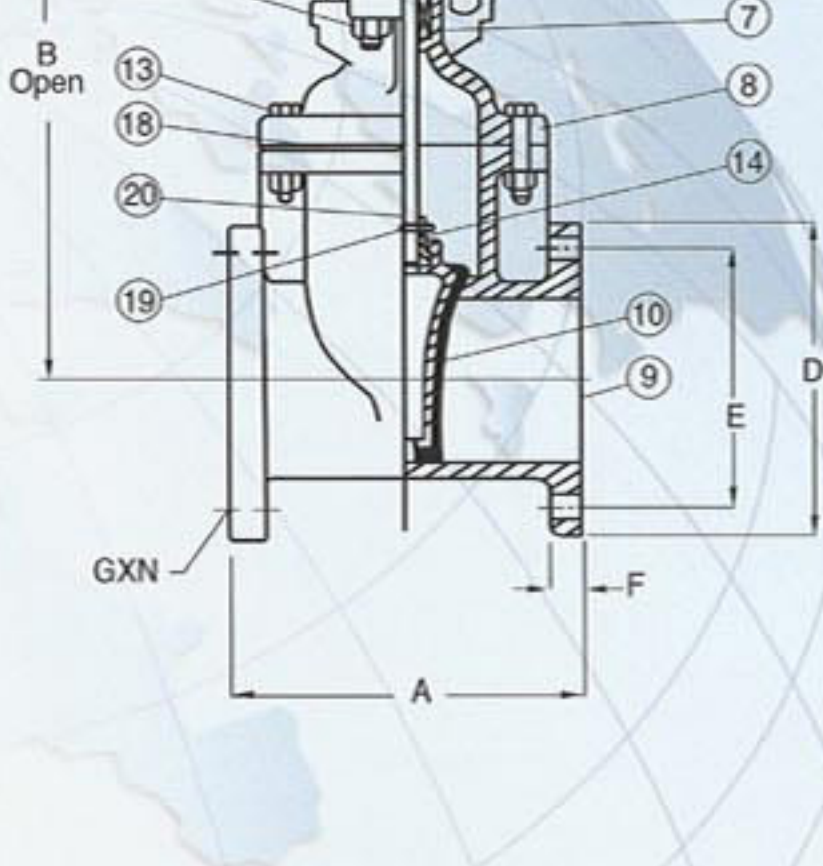
UL Listed. FM Approved.

Model: SD-722H

Materials List

No.	Description	Material	Specification
1	Handwheel Nut	Ductile Iron	ASTM A-536
2	Handwheel	Cast Iron	ASTM A-126-B
3	Yoke Sleeve Nut	Ductile Iron	ASTM A-536
4	Yoke Sleeve	Cast Bronze	ASTM B-62
5	Stem	Brass	ASTM B-16
6	Yoke	Cast Iron	ASTM A126-B
7	Packing	Non-Asbestos	Commercial
8	Bonnet	Cast Iron	ASTM A-126-B
9	Body	Cast Iron	ASTM A126-B
10	Disc	Cast Iron	ASTM A126-B
11	Nut	Steel	ASTM A307-B
12	Gland Flange	Ductile Iron	ASTM A-536
13	Bolt	Steel	ASTM A307-B
14	Disc Nut	Cast Bronze	ASTM B-62
15	Bolt	Steel	ASTM A307-B
16	Gland	Cast Bronze	ASTM B-62
17	Nut	Steel	ASTM A307-B
18	Rubber Gasket	EPDM	Commercial
19	Pin	Steel	ASTM A307-B
20	O-ring	EPDM	Commercial

* Stem is also available in Bronze or Stainless Steel



Dimensions & Weights

Nominal Size	Dimensions in inches							Approx. Net Wt (Lbs)
	A	B	C	D	E	F	GxN	
2 ¹ / ₂ "	7.5	14.1	7.0	7.0	5.50	0.69	3/4x4	44
3"	8.0	20.9	10.0	7.5	6.00	0.75	3/4x3	85
4"	9.0	22.3	10.0	9.0	7.50	0.94	3/4x8	96
6"	10.5	30.5	12.0	11.0	9.50	1.00	7/8x8	176
8"	11.5	38.2	14.0	13.5	11.75	1.12	7/8x8	279
10"	13.0	46.2	16.0	16.0	14.25	1.19	1X12	435