

Shield - Pressure Reducer Angle Valve

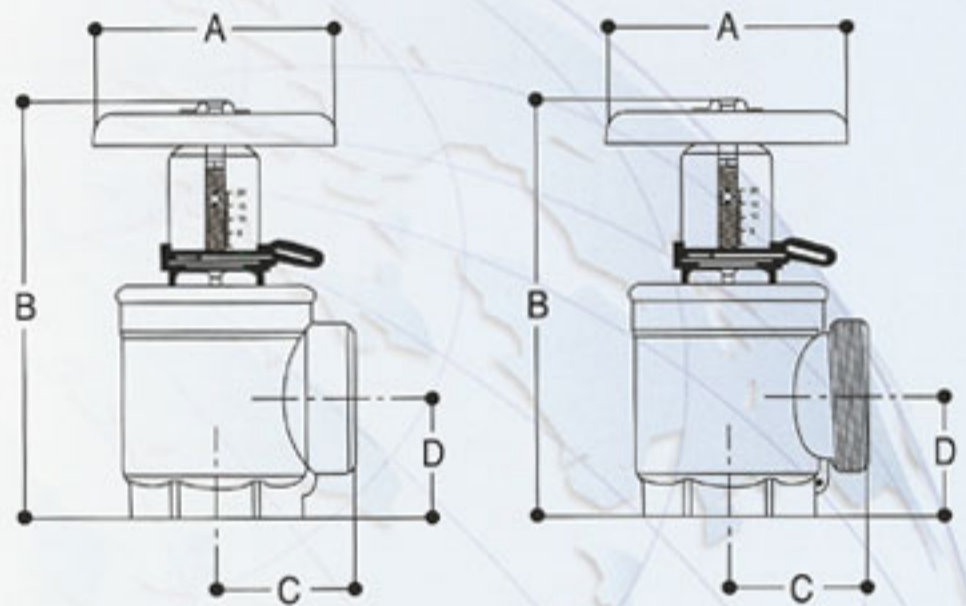


UL Listed. **FM** Approved.

▲ **Model: SD-A155**

▲ **Model: SD-A156**

The pressure reducing angle valves are manufactured according to UL restrictions. The downstream water pressure under flow (residual) condition up to 65 psi in fire protection standpipes and hose or hose rack assembly.



Product Description

Size	: 1 1/2" & 2 1/2"
Working Press.	: 300 psi
Max. Test Press.	: 600 psi
Standard	: Female NPT x Female Female NPT x Male
Body	: Cast Brass with Red Hand wheel

Optional Finishes

- Polished Brass
- Rough Chrome Finish
- Polished Chrome Finish

Cap & Chain (optional)

To cover and protect male/female outlet threads on valves and hydrants.
Prevents entry of foreign matter. Available upon request.

