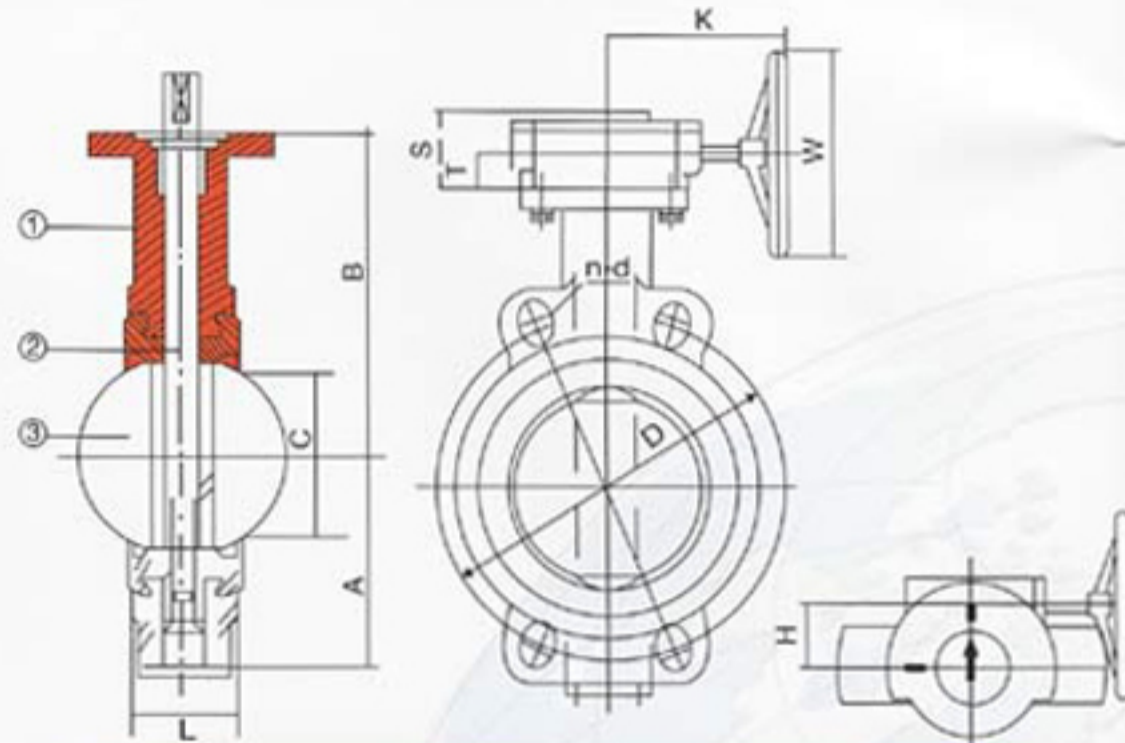




Shield - Butterfly Valve - Gear Operated

▲ Model: SD-BVG125



| TEST PRESSURE BAR | | 50-300mm | 350-600mm |
|-------------------|----------|----------|-----------|
| Nominal Pressure | | 16 | 10 |
| Testing Pressure | Strength | 24 | 15 |
| | Sealing | 17.6 | 10 |
| Working Pressure | | 16 | 10 |

| No. | Parts | Material |
|-----|-------|-----------------------------|
| 1 | Body | Grey Cast Iron/Ductile Iron |
| 2 | Stem | Stainless Steel |
| 3 | Disk | Plated Ductile Iron |
| | | Cast Aluminium Bronze |
| | | Stainless Steel |
| 4 | Seat | NBR, EPT, Neoprene |

Dimensions (mm)

| Size | Dimensions of Valve | | | | | | | | | Dimensions of Flanges | | | | | |
|--------|---------------------|-----|-----|-----|-----|-----|-----|----|-----|-----------------------|------------|-------------|-----------|-----------------|--------------|
| | A | B | C | H | K | L | S | T | W | GB2355-01 PN10 | | BS4504 PN10 | | MSI 125/150 LBS | |
| | | | | | | | | | | D | n-d-bolt | D | n-d-bolt | D | n-d-bolt |
| 2" | 65 | 105 | 38 | - | - | 43 | - | - | - | 125 | 4-17.5-m16 | 125 | 4-18-m16 | 120.6 | 4-20-5/8" |
| 2 1/2" | 78 | 125 | 48 | - | - | 46 | - | - | - | 145 | 4-17.5-m16 | 145 | 4-18-m16 | 139.7 | 4-20-5/8" |
| 3" | 83 | 135 | 64 | - | - | 46 | - | - | - | 160 | 8-17.5-m16 | 160 | 4-18-m16 | 152.4 | 4-20-5/8" |
| 4" | 107 | 150 | 90 | 45 | 150 | 52 | 72 | 30 | 160 | 180 | 8-17.5-m16 | 180 | 8-18-m16 | 190.5 | 8-20-5/8" |
| 5" | 120 | 165 | 117 | 60 | 160 | 56 | 90 | 40 | 200 | 210 | 8-17.5-m16 | 210 | 8-18-m16 | 215.4 | 8-23-3/4" |
| 6" | 132 | 180 | 138 | 60 | 160 | 56 | 90 | 40 | 200 | 240 | 8-22-m20 | 240 | 8-22-m20 | 241.3 | 8-23-3/4" |
| 8" | 160 | 230 | 189 | 80 | 220 | 60 | 105 | 46 | 250 | 295 | 8-22-m20 | 295 | 8-22-m20 | 298.4 | 8-23-3/4" |
| 10" | 190 | 260 | 241 | 80 | 220 | 68 | 105 | 46 | 250 | 350 | 12-22-m20 | 350 | 12-22-m20 | 361.9 | 12-26-7/8" |
| 12" | 222 | 300 | 291 | 80 | 220 | 78 | 105 | 46 | 250 | 400 | 12-22-m20 | 400 | 12-22-m20 | 431.8 | 12-26-7/8" |
| 14" | 297 | 340 | 331 | 100 | 240 | 78 | 120 | 55 | 300 | 460 | 16-22-m20 | 460 | 16-22-m20 | 476.2 | 12-29-1" |
| 16" | 356 | 390 | 370 | 100 | 240 | 102 | 120 | 55 | 300 | 515 | 16-26-m24 | 515 | 16-26-m24 | 539.7 | 16-29-1" |
| 18" | 381 | 425 | 420 | 120 | 280 | 114 | 136 | 63 | 350 | 565 | 20-26-m24 | 565 | 20-26-m24 | 577.8 | 16-29-1 1/8" |
| 20" | 410 | 470 | 465 | 120 | 280 | 127 | 136 | 63 | 350 | 620 | 20-26-m24 | 620 | 20-26-m24 | 635 | 20-32-1 1/8" |
| 24" | 500 | 540 | 560 | 150 | 360 | 154 | 150 | 70 | 400 | 725 | 20-30-m27 | 725 | 20-30-m27 | 749 | 20-35-1 1/4" |

▲ Working Temperature: 10°C to 100°C

▲ Form of operation: Manual

▲ Suitable Media: Water, Seawater, Sewage, Gas Steam, Food, Medicine, Acid, Alkali, Fire Fighting