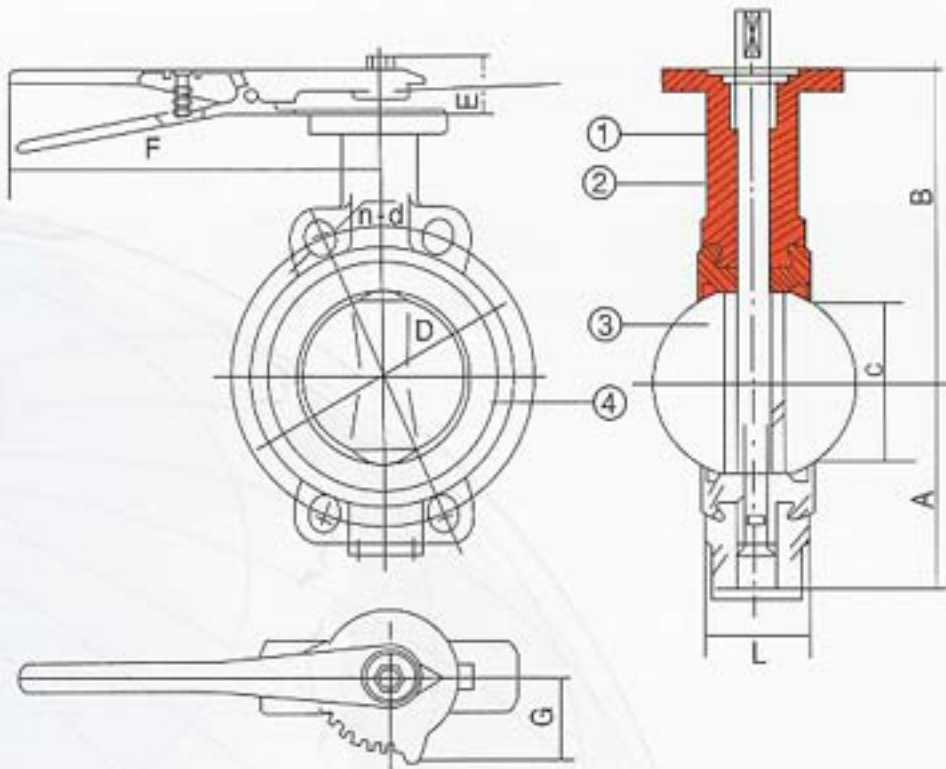


# Shield - Butterfly Valve - Lever Operated



▲ Model: SD-BVL 125



Pressure		BAR
Nominal Pressure		16
Testing Pressure	Strength	24
	Sealing	17.6
Working Pressure		16

No.	Parts	Material
1	Body	Grey Cast Iron/Ductile Iron
2	Stem	Stainless Steel
3	Disk	Plated Ductile Iron
		Cast Alumunium Bronze
		Stainless Steel
4	Seat	NBR, EPT, Neoprene

## Dimensions (mm)

Size	Dimensions (mm)								Dimensions of Flanges				
	A	B	C	E	F	G	L	D	GB2355-01 PN10 n-d-bolt	BS4504 PN10 D	MSI 125/150 LBS n-d-bolt	D	n-d-bolt
	2"	65	105	38	45	260	70	43	125	4-17.5-m16	125	4-18-m16	120.6
2 1/2"	78	125	48	45	260	70	46	145	4-17.5-m16	145	4-18-m16	139.7	4-20-5/8"
3"	83	135	64	45	260	70	46	160	8-17.5-m16	160	4-18-m16	152.4	4-20-5/8"
4"	107	150	90	50	300	75	52	180	8-17.5-m16	180	8-18-m16	190.5	8-20-5/8"
5"	120	165	117	50	300	75	56	210	8-17.5-m16	210	8-18-m16	215.4	8-23-3/4"
6"	132	180	138	50	300	75	56	240	8-22-m20	240	8-22-m20	241.3	8-23-3/4"
8"	160	230	189	55	350	103	60	295	8-22-m20	295	8-22-m20	298.4	8-23-3/4"
10"	190	260	241	55	350	103	68	350	12-22-m20	350	12-22-m20	361.9	12-26-7/8"
12"	222	300	291	55	350	103	78	400	12-22-m20	400	12-22-m20	431.8	12-26-7/8"

▲ Working Temperature: 10°C to 100°C

▲ Form of operation: Manual

▲ Suitable Media: Water, Seawater, Sewage, Gas Steam, Food, Medicine, Acid, Alkali, Fire Fighting