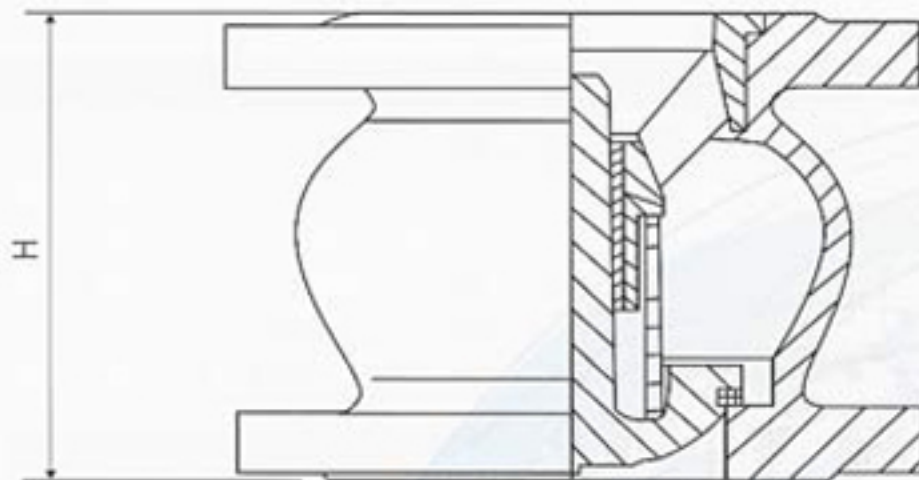




Shield - Check Valve - Vertical

▲ Model: SD-CV16



MATERIAL	
Body	Cast iron / ductile iron
Disc	Cast iron / ductile iron
Disc ring	NBR
Spring	Stainless steel / Steel with zinc

DESIGN	
Face to face according to ISO Standard	
Flange drilled is according to DIN, BS, JIS, ANSI etc.	

TEST		
Working pressure	PN10/PN16	Class 125/150
Shell pressure	PN15/PN24	300PSI
Seat pressure	PN11/PN17.6	200PSI

Dimensions (mm)

SIZE (DN)	2"	2 ¹ / ₂ "	3"	4"	5"	6"	8"	10"	12"
H	120	120	140	170	200	220	288	344	385

Remark: Our design can be suitable for all standard (BS, DIN, ANSI, JIS standard etc.)